



RLF 74925 Full No Frost Side by Side Refrigerator 179cm with 2 doors and Bar on door



On Holidays function



Bar On Door



Fresh Box



Full No Frost



LED

DESCRIPTION

Full No Frost Side by Side Refrigerator 179cm with 2 doors and Bar on door

LIFE STYLE

Maestro

COLOURS

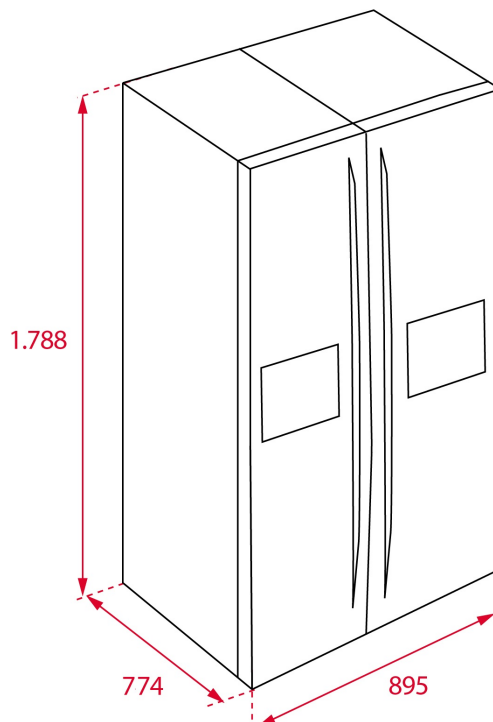


REFERENCE

REF. 113430010
EAN. 8434778003895

FEATURES

Side by Side refrigerator
No Frost Total cold
Electronic display with freezer and refrigerator temperature control and indicator
Bar on door system
Eco function
On holidays function
Fast Freeze / Quick Cool function
2 FreshBox drawers
7 safety glass shelves with adjustable height
LED illumination
Safety lock for children
8 door balconies
External metal handle
Back wheels to move the appliance easily
Adjustable feet (front/rear)
Climate class: N/T
Total gross capacity: 574 litres
Net capacity: 334 156 litres



DIMENSIONS

Product height (mm): 1788
Product width (mm): 895
Product depth (mm): 745
Product length (mm):
Net weight (Kg): 112

TECH SPECS

FITTING MEASURES

Built-in Width (mm): 0
Built-in Depth (mm): 0
Built-in Height (mm): 0

PRODUCT SHEET

Cooling system: FULL NF
No Frost In Refrigerator Compartment: Yes
No Frost in chiller: Yes
No Frost in freezer compartment: Yes
Total gross capacity (litres): 574
Refrigerator compartment capacity (litres): 334
Freezer compartment capacity (litres): 156
Freezer classification: 4
Freezing capacity: 14
Annual Consumption (kWh/year): 322
Temperature Rise Time (h): 7 (6 AT 1/3/2021)
Climate class: T
Noise level (dB): 41
Certificates: CE, TUV, GS

POWER SUPPLY

Frequency (Hz): 50
Power rate (V): 220-240
Power rate (W): 188
Defrost element power (W): 240
Energy consumption (kw/day): 0,882
Cable Connection Length (cm): 1750

PARTICULAR CHARACTERISTICS

Type of installation: Free standing
Automatic defrosting in the refrigeration compartment: Yes
Automatic defrosting in the freezer compartment: Yes
Electronic adjustable thermostat: Yes
Display on door: Yes
Fingerprint proof door: Yes
Antibacterial treatment: NO
Freezing set button: Yes
Cooling set button: Yes
Lock function: Yes
Fast freezing: Yes
Fast Cooling Function: Yes
On Holidays Function: Yes
Inner light: Yes
Type of inner light: LED
External handle: Yes

CONTROL INDICATOR LIGHTS

Operating light fridge: Yes
Operating light freezer: Yes
Freezer compartment temperature display: Yes
Fast freezing indicator: Yes
Acoustic alarm: Yes

EQUIPMENT

Chromed bottle rack: NO
Multipurpose compartment: NO
Automatic water dispenser: Yes
Automatic ice maker: Yes
Ice off: Yes
Ice cubes tray: 2
Bottle rack type: NO
Adjustable feet front: Yes
Roller (rear): Yes
Refrigerator adjustable shelves: Yes
Vegetable drawers: 2
Temperature and humidity regulation in drawers: FRESH BOX

PRODUCT INFORMATION SHEET (UE) 2019/2016

Supplier name or trademark: TEKA
Supplier's address: C/Cajo, 17, 39011, Santander , Spain
Model identifier: RLF 74925 SS EU

Type of refrigerating appliance

Low-noise appliance: 0
Design type: Free standing
Wine storage appliance: 0
Other refrigerating appliance: 1

Overall dimensions (mm)

Height: 1765
Width: 897
Depth: 761
Total volume (dm³ or l): 516
Energy efficiency class: E
Airborne acoustical noise emission class: C

Annual energy consumption (kWh/a): 318
Climate class: T
Minimum ambient temperature (°C), for which the refrigerating appliance is suitable: 10
Maximum ambient temperature (°C), for which the refrigerating appliance is suitable: 43
Compartment 1: FRESH FOOD
Compartment 1 - Compartment Volume (l): 334
Compartment 1 - Recommended temperature setting for optimised food storage (°C): 4
Compartment 1 - Freezing capacity (kg/24h): NA
Compartment 1 - Defrosting type: A
Compartment 1 - Target temperature (°C): NA
Compartment 1 - Thermodynamic parameter (rc): NA
Compartment 1 - Nc: NA
Compartment 1 - Mc: NA
Compartment 1 - Defrost factor (Ac): NA
Compartment 1 - Built-in factor (Bc): NA
Compartment 2: 4 STARS
Compartment 2 - Compartment Volume (l): 154
Compartment 2 - Recommended temperature setting for optimised food storage (°C): ≤-18
Compartment 2 - Freezing capacity (kg/24h): 14
Compartment 2 - Defrosting type: A
Compartment 2 - Target temperature (°C): NA
Compartment 2 - Thermodynamic parameter (rc): NA
Compartment 2 - Nc: NA
Compartment 2 - Mc: NA
Compartment 2 - Defrost factor (Ac): NA
Compartment 2 - Built-in factor (Bc): NA
Compartment 3: 2 STARS
Compartment 3 - Compartment Volume (l): 25
Compartment 3 - Recommended temperature setting for optimised food storage (°C): NA
Compartment 3 - Freezing capacity (kg/24h): NA
Compartment 3 - Defrosting type: A
Compartment 3 - Target temperature (°C): NA
Compartment 3 - Thermodynamic parameter (rc): NA
Compartment 3 - Nc: NA
Compartment 3 - Mc: NA
Compartment 3 - Defrost factor (Ac): NA
Compartment 3 - Built-in factor (Bc): NA
Compartment 4: 1 STAR
Compartment 4 - Compartment Volume (l): 3
Compartment 4 - Recommended temperature setting for optimised food storage (°C): NA
Compartment 4 - Freezing capacity (kg/24h): NA
Compartment 4 - Defrosting type: A
Compartment 4 - Target temperature (°C): NA
Compartment 4 - Thermodynamic parameter (rc): NA
Compartment 4 - Nc: NA
Compartment 4 - Mc: NA
Compartment 4 - Defrost factor (Ac): NA
Compartment 4 - Built-in factor (Bc): NA
Compartment 5 - Type: NA
Compartment 5 - Compartment Volume (l): NA
Compartment 5 - Recommended temperature setting for optimised food storage (°C): NA
Compartment 5 - Freezing capacity (kg/24h): NA
Compartment 5 - Defrosting type: NA
Compartment 5 - Target temperature (°C): NA
Compartment 5 - Thermodynamic parameter (rc): NA
Compartment 5 - Nc: NA
Compartment 5 - Mc: NA
Compartment 5 - Defrost factor (Ac): NA
Compartment 5 - Built-in factor (Bc): NA

Light source parameters

Light source - Type of light source: LED
Light source - Energy efficiency class: G
Minimum duration of the guarantee offered by the manufacturer (b): 24 months

Light source parameters

Light source - Type of light source: LED
Light source - Energy efficiency class: G
Minimum duration of the guarantee offered by the manufacturer (Years) (b): 24 months

Additional information:

Weblink to the manufacturer's website, where the information in point 4(a) Annex of Commission Regulation (EU) 2019/2019 (1) (b) is found:
(a) as determined in accordance with Commission Delegated Regulation (EU) 2019/2015 (2).

(b) changes to these items shall not be considered relevant for the purposes of point 4 of Article 4 of Regulation (EU) 2017/1369.

(c) if the product database automatically generates the definitive content of this cell the supplier shall not enter these data.

(1) Commission Regulation (EU) 2019/2019 of 1 October 2019 laying down ecodesign requirements for refrigerating appliances pursuant to Directive 2009/125/EC of the European Parliament and of the Council and repealing Commission Regulation (EC) No 643/2009 (see page 187 of this Official Journal).(2)

(2) Commission Delegated Regulation (EU) 2019/2015 of 11 March 2019 supplementing Regulation (EU) 2017/1369 of the European Parliament and of the Council with regard to energy labelling of light sources and repealing Commission Delegated Regulation (EU) No 874/2012 (see page 68 of this Official Journal).



RLF 74925

ENERGY LABEL

