



EWH 50 C Water heater with vertical installation and 50L capacity



Dry Heating
Protection



Humidity
Control



Overheating
Protection

DESCRIPTION

Water heater with vertical installation and 50L capacity

LIFE STYLE

Easy

COLOURS



REFERENCE

REF. 111720002
EAN. 8434778012965



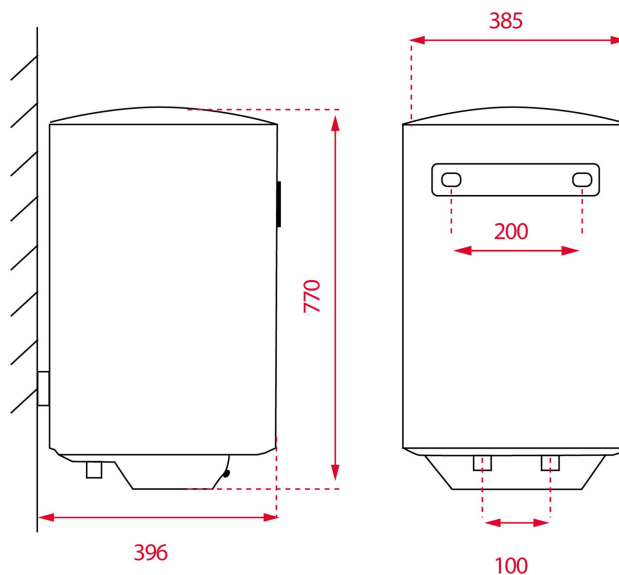
EWH 50 C

FEATURES

Vertical installation
Capacity: 50 litres
Average number of users: 2-3
Enamelled heating element
Temperature regulation 30° - 75° C
Max input pressure: 0.75 Mpa
Thermometer
Over-heating protection
Humidity protection
Dry-heating protection
Power rate: 1500 W
Isolation thickness: 22.50 mm

DIMENSIONS

Product height (mm): 770
Product width (mm): 385
Product depth (mm): 385
Product length (mm):
Net weight (Kg): 17,8



TECH SPECS

PARTICULAR CHARACTERISTICS

Power rate (V): 220-240
Frequency (Hz): 50/60
Power rate (W): 1.500
Plug type: EU, 1m
Type of installation: Vertical
Certificates: CE
Average number of users: 2-3
Control panel: MECHANICAL
Number of power levels: 1
Maximum input pressure (Mpa): 0,75
Sapphire Enamelled Steel Tank: Yes
Magnesium protection anode: Yes
Heating element indicator lamp: Yes
Thermometer: Yes
Insulation thickness (mm): 22,50
Degree of protection against humidity: IPX4
Protection against heating: Yes
Dry heating protection: Yes

Water heating energy efficiency class: C
Annual energy consumption AEC kWh/annum (kWh): 1422,00
Sound power level L WA (dB): 15

EU REGULATION NO.
814/2013

Storage Volume V L (L): 50



EWH 50 C

ENERGY LABEL

