



# EWH 80 C Water heater with vertical installation and 80L capacity



Dry Heating Protection



Humidity Control



Overheating Protection

**DESCRIPTION**

Water heater with vertical installation and 80L capacity

**LIFE STYLE**

Easy

**COLOURS**



**REFERENCE**

REF. 111720003  
EAN. 8434778012972



**TEKA**

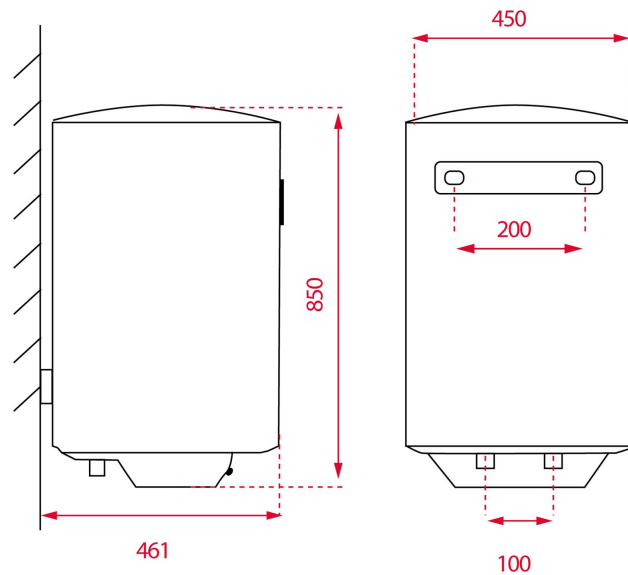
**EWH 80 C**

**FEATURES**

Vertical installation  
Capacity: 80 litres  
Average number of users: 2-4  
Enamelled heating element  
Temperature regulation 30° - 75° C  
Max input pressure: 0.75 Mpa  
Thermometer  
Over-heating protection  
Humidity protection  
Dry-heating protection  
Power rate: 1500 W  
Isolation thickness: 20 mm

## DIMENSIONS

**Product height (mm):** 805  
**Product width (mm):** 450  
**Product depth (mm):** 450  
**Product length (mm):**  
**Net weight (Kg):** 25,5



## TECH SPECS

### PARTICULAR CHARACTERISTICS

**Power rate (V):** 220-240  
**Frequency (Hz):** 50/60  
**Power rate (W):** 1.500  
**Plug type:** EU, 1m  
**Type of installation:** Vertical  
**Certificates:** CE  
**Average number of users:** 2-4  
**Control panel:** MECHANICAL  
**Number of power levels:** 1  
**Maximum input pressure (Mpa):** 0,75  
**Sapphire Enamelled Steel Tank:** Yes  
**Magnesium protection anode:** Yes  
**Heating element indicator lamp:** Yes  
**Thermometer:** Yes  
**Insulation thickness (mm):** 20,00  
**Degree of protection against humidity:** IPX4  
**Protection against heating:** Yes  
**Dry heating protection:** Yes

**Water heating energy efficiency class: C**  
**Annual energy consumption AEC kWh/annum (kWh): 1420,00**  
**Sound power level L WA (dB): 15**

**EU REGULATION NO.**  
**814/2013**

**Storage Volume V L (L): 80**



EWH 80 C

ENERGY LABEL

