



**LSI5 1481 EU** Washer dryer integrable 8kg capacity and 5kg drying system handwashable energy classification



Quick Cycle



Washing capacity: 8Kg

**DESCRIPTION**

Washer dryer integrable 8kg capacity and 5kg drying system handwashable energy classification

**LIFE STYLE**

Maestro

**COLOURS**



**REFERENCE**

REF. 114030004  
EAN. 8434778015423

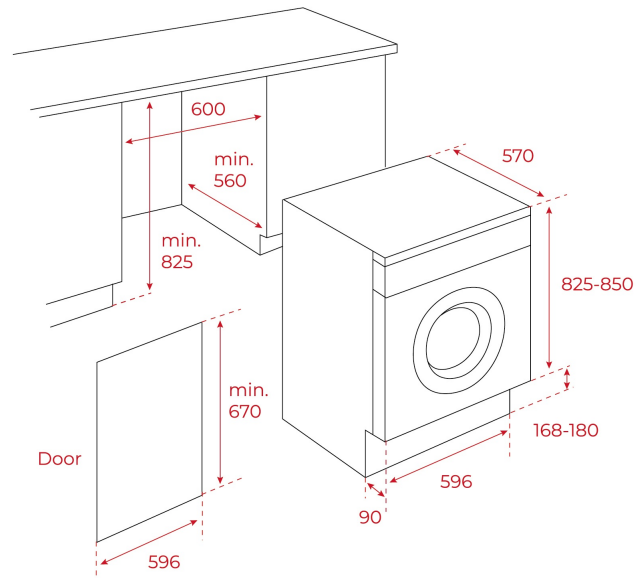


**TEKA**

**LSI5 1481 EU**

## **FEATURES**

Built-in Washer-Dryer  
Electronic control panel  
Washing capacity: 8 kg  
Drying capacity: 5 kg  
Washing programs: 13  
Drying programs: 2  
Fast program: 14 minutes  
Special programs: ECO mode, Delicate  
Special functions: Delay timer, Stain type, Time dry  
Condenser heat pump  
Maximum spinning speed: 1400 RPM  
Automatic water regulation  
Automatic door lock safety system  
Child lock  
SoftCare drum  
Delay timer: 1-24 hours  
35 cm wide porthole door



## DIMENSIONS

**Product height (mm):** 820  
**Product width (mm):** 596  
**Product depth (mm):** 570  
**Product length (mm):**  
**Net weight (Kg):** 64

## TECH SPECS

### PRODUCT SHEET

**Type of installation:** Built-in  
**Drying capacity (Kgs):** 5  
**Energy consumption (kWh/year):** 220  
**Water consumption (litres/year):** 11000

### POWER SUPPLY

**Frequency (Hz):** 50  
**Power rate (V):** 220-240  
**Maximum Nominal Power (W):** 1600  
**Nominal power motor (W):** 350  
**Power of heating element (W):** 1600

### PARTICULAR CHARACTERISTICS

**Stainless Steel Drum:** Yes  
**Number of programs:** 13  
**Control panel:** SYMBOL  
**Auto lock door:** Yes  
**Cancel spin cycle button:** Yes

**CONTROL INDICATOR LIGHTS**

**Selected program indicator:** Yes

**Remaining time:** Yes

**Drying:** Yes

**Dryer timer:** Yes

**SPECIAL FUNCTIONS**

**Fast program:** Yes

**Fast program (minutes):** 14

**Economic program:** Yes

**Intense program:** Yes

**Delicate fabrics:** Yes

**Resistant:** Yes

**EQUIPMENT**

**Adjustable Feet Back:** Yes

**Adjustable feet front:** Yes



LSI5 1481 EU

ENERGY LABEL

The energy label for the TEKA LSI5 1481 EU is a rectangular sticker with a yellow border. At the top left is the European Union flag and the word "ENERGY" in blue. To the right is a QR code. Below this, the brand name "TEKA" and model "LSI5 1481 EU" are printed. The label features two energy efficiency scales. The left scale shows energy efficiency classes from A (green) to G (red), with a black arrow pointing to class D. The right scale shows energy efficiency classes from A (green) to G (red), with a black arrow pointing to class A. Below the scales, there are two energy consumption values: 266 kWh/100 cycles (with a washing machine icon) and 47 kWh/100 cycles (with a water tap icon). Further down, there are icons for detergent drawer capacity (5,0 kg and 8,0 kg), water consumption (75 L and 44 L), and spin cycle time (9:10 and 3:38). At the bottom, there are icons for energy class (A B C D E F G) and noise class (A B C D), with a noise level of 75 dB indicated. The word "PRESENCE" is printed vertically on the right side.