



HLB 840 A+ Multifunction Oven with HydroClean® PRO cleaning system



70L



Plus Extension
Telescopic
Guide



HydroClean



SurroundTemp

DESCRIPTION

A+ Multifunction Oven with HydroClean® PRO cleaning system

LIFE STYLE

Maestro

COLOURS



REFERENCE

REF. 41560070
EAN. 8421152148587

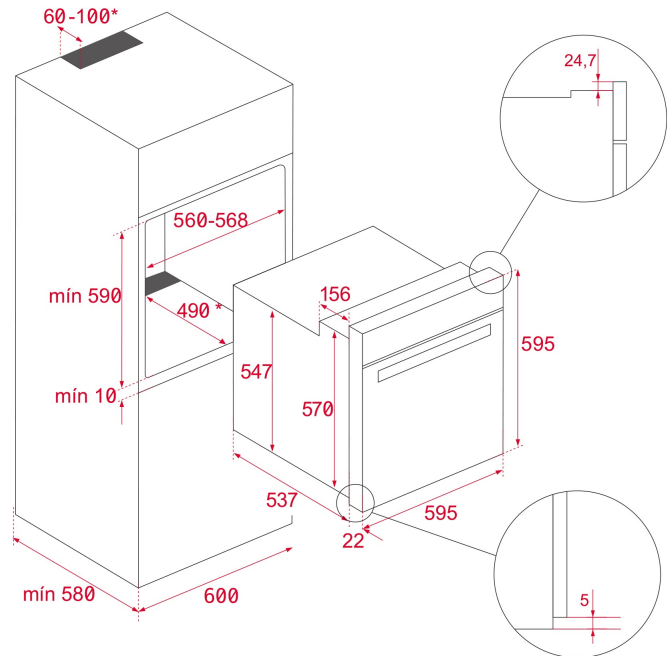


TEKA

HLB 840

FEATURES

Multifunction SurroundTemp oven
9 cooking functions
Automatic HydroClean system
Touch control display with knobs
Electronic timer (Delay/Start function)
Chrome supports with 5 cooking levels
Plus Extension Telescopic guides
Removable double glazed door
Children safety lock
Manual quick preheating
Anti-tip deep tray, baking tray and reinforced grid
Capacity (gross/net): 71 / 70 litres



DIMENSIONS

Product height (mm): 595

Product width (mm): 595

Product depth (mm): 537+22

Product length (mm):

Net weight (Kg): 28

TECH SPECS

PARTICULAR CHARACTERISTICS

Certificates: N / CE / CCA / CB/GMARK

Number of cavities: 1

Type of inner light: Halogen

Inside light position: RIGHT TOP CORNER

Enamelled cavity: Yes

Function selector: 11+0

Number of cooking functions: 9

Top + Bottom function: Yes

Grill function: Yes

MaxiGrill function: Yes

MaxiGrill + Fan function: Yes

Bottom function: Yes

Bottom + TURBO (Pizza) function: Yes

Turbo function: Yes

ECO function: Yes

Mechanical quick heating: Yes

Touch Control Programmer: Yes

Knobs type: MMX FIX knurling printed

Removable chromed tray guides: Yes

Number of guide levels: 5

Easy slide telescopic guides: Yes

Drop-down grill: Yes

ELECTRIC CONNECTION

Maximum Nominal Power (W): 3215

Frequency (Hz): 50/60

Power rate (V): 220-240

Cable Connection Length (cm): 110

Inside light Consumption (W): 25

ENERGY CONSUMPTION

Energy consumption per cycle in conventional mode (kWh):
0.81

Energy consumption per cycle in fan-forced convection mode (kWh): 0,68

Bottom Heating Element (W): 1150

Bottom Heating Element (W) (lower cavity): 1150

Grill (W): 1400

Maxi Grill (W): 2500

Traditional (W): 2550

Turbo (W): 2000

Multifunction Turbo (W): 22

Cooling Fan Motor (W): 18

SECURITY SYSTEM

Panel blocking system: Yes

Grill protection: Yes

Anti-tip tray system: Yes

Safety Thermostat: Yes

CLEANING SYSTEM

Crystal Clean Enamel (Slippery): Yes

Hydroclean PRO: Yes

ACCESSORIES

Deep Tray (50 mm): 1

Reinforced grid: 1

ENERGY EFFICIENCY

Energy Efficiency Class: A+

Energy Efficiency Index (EEI): 81

PRODUCT INFORMATION SHEET - DELEGATED REGULATION (EU) 65/2014

Supplier name or trademark: TEKA

Model identifier: HLB 840 BK-SS

Number of cavities: 1

Cavity 1

Energy Efficiency Index: 81

Energy Efficiency Class: A+

Energy consumption per cycle (conventional mode): 0.81

Energy consumption per cycle (fan-forced convection mode):
0,68

Volume: 70



HLB 840

ENERGY LABEL

The energy label for the TEKA HLB 840 dishwasher is a vertical rectangular sticker with a blue border. At the top left is the European Union flag. To its right is the word "ENERG" in large blue letters, with "енергия · ενεργεια" in smaller text below it. Further right are two circular icons: one with "Y IJA" and another with "IE IA". Below this header is the TEKA logo and the model number "HLB 840". A central graphic shows a vertical scale of energy efficiency classes from A+++ (dark green) at the top to D (red) at the bottom. A black arrow points to the A+ class. Below the scale are two boxes: the first shows a dishwasher icon and "70 L"; the second shows a cycle icon and "0.68 kWh/cycle*". At the bottom, there is a small line of text in multiple languages and the date "65/2014".