



EWH 50 H VR01 Water heater with double installation system and 50L capacity



Dry Heating Protection



ELCB Earth Leakage Circuit Breaker



Humidity Control



Overheating Protection



Type of Installation

DESCRIPTION

Water heater with double installation system and 50L capacity

LIFE STYLE

Total

COLOURS



REFERENCE

REF. 42080250
EAN. 8421152131954



TEKA

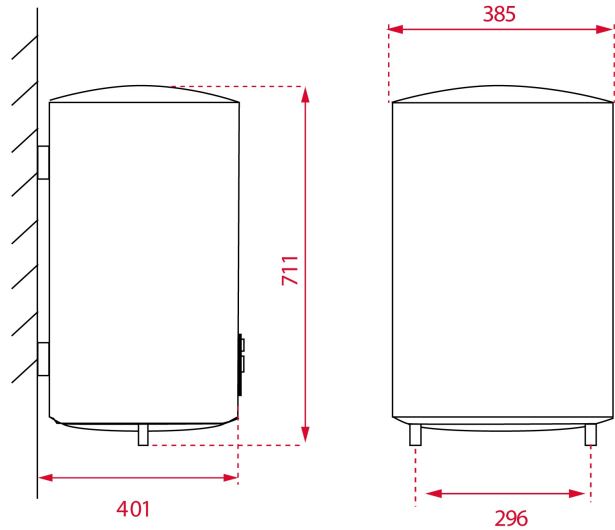
EWH 50 H VR01

FEATURES

Vertical and horizontal installation
Capacity: 46 litres
Average number of users: 2-3
Tank ultra-resistant protective polish
Enamelled heating element
Temperature regulation 30° - 75° C
Max input pressure: 0.75 Mpa
Thermometer
Over-pressure protection
Over-heating protection
Humidity protection
Dry-heating protection
Earth leakage circuit breaker ELCB
Power rate: 1500 W
Isolation thickness: 20 mm

DIMENSIONS

Product height (mm): 711
Product width (mm): 385
Product depth (mm): 385
Product length (mm):
Net weight (Kg): 18,3



TECH SPECS

FEATURES

Power rate (V): 220-240
Frequency (Hz): 50
Power rate (W): 1.500
Plug type: EU
Type of installation: Vertical, Horizontal
Certificates: CE; CB
Average number of users: 2-3
Control panel: MECHANICAL
Number of power levels: 1
Maximum input pressure (Mpa): 0,75
Sapphire Enamelled Steel Tank: Yes
Magnesium protection anode: Yes
Heating element indicator lamp: Yes
Thermometer: Yes
Insulation thickness (mm): 20,00
Degree of protection against humidity: IPX4
Protection against heating: Yes
Dry heating protection: Yes

EU REGULATION NO.
812/2013

Declared load profile: M
Water heating energy efficiency class: C
Annual energy consumption AEC kWh/annum (kWh): 1418,00
Sound power level L WA (dB): 15



EWH 50 H VR01

ENERGY LABEL

