



# EWH 80 H VR01 Water heater with double installation system and 80L capacity



Dry Heating Protection



ELCB Earth Leakage Circuit Breaker



Humidity Control



Overheating Protection



Type of Installation

## DESCRIPTION

Water heater with double installation system and 80L capacity

## LIFE STYLE

Total

## COLOURS



## REFERENCE

REF. 42080280  
EAN. 8421152131961



**TEKA**

**EWH 80 H VR01**

**FEATURES**

Vertical and horizontal installation  
Capacity: 73 litres  
Average number of users: 2-4  
Tank ultra-resistant protective polish  
Enamelled heating element  
Temperature regulation 30° - 75° C  
Max input pressure: 0.75 Mpa  
Thermometer  
Over-pressure protection  
Over-heating protection  
Humidity protection  
Dry-heating protection  
Earth leakage circuit breaker ELCB  
Power rate: 1500 W  
Isolation thickness: 20 mm

## DIMENSIONS

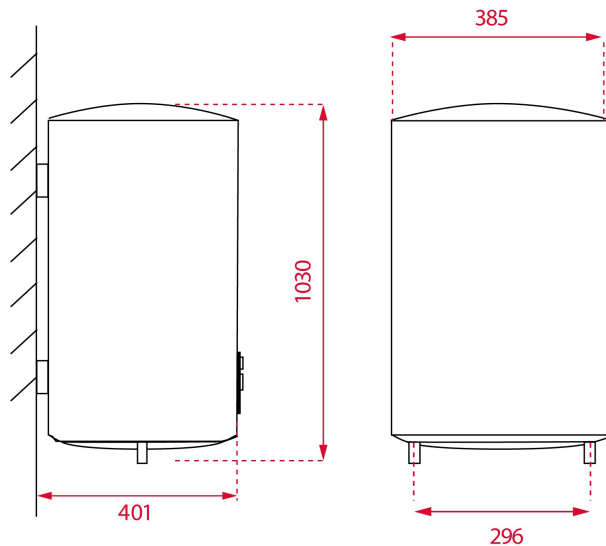
**Product height (mm):** 1030

**Product width (mm):** 385

**Product depth (mm):** 385

**Product length (mm):**

**Net weight (Kg):** 26,31



## TECH SPECS

### PARTICULAR CHARACTERISTICS

**Power rate (V):** 220-240

**Frequency (Hz):** 50

**Power rate (W):** 1.500

**Plug type:** EU

**Type of installation:** Vertical, Horizontal

**Certificates:** CE; CB

**Average number of users:** 2-4

**Control panel:** MECHANICAL

**Number of power levels:** 1

**Maximum input pressure (Mpa):** 0,75

**Sapphire Enamelled Steel Tank:** Yes

**Magnesium protection anode:** Yes

**Heating element indicator lamp:** Yes

**Thermometer:** Yes

**Insulation thickness (mm):** 20,00

**Degree of protection against humidity:** IPX4

**Protection against heating:** Yes

**Dry heating protection:** Yes

**EU REGULATION NO.**  
**812/2013**

**Declared load profile:** M

**Water heating energy efficiency class:** C

**Annual energy consumption AEC kWh/annum (kWh):** 1422,00

**Sound power level L WA (dB):** 15

**EU REGULATION NO.  
814/2013**

**Storage Volume V L (L): 72**



**EWH 80 H VR01**

**ENERGY LABEL**

