



**SMART EWH 80 VE-D** Smart Control water heater with temperature LED indicator and 80L capacity



Dry Heating Protection



Electronic Smart Control



Humidity Control



Overheating Protection

**DESCRIPTION**

Smart Control water heater with temperature LED indicator and 80L capacity

**LIFE STYLE**

Total

**COLOURS**



**REFERENCE**

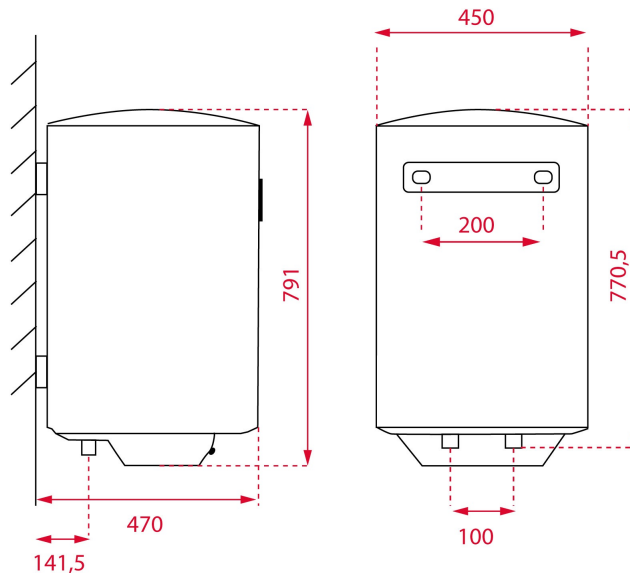
REF. 42080330  
EAN. 8421152149249

**FEATURES**

Smart series: Habits-based adapting system  
Vertical installation  
Capacity: 80 litres  
Average number of users: 2-4  
Tank ultra-resistant protective polish  
Enamelled heating element  
Temperature regulation 30° - 75° C  
Max input pressure: 0.75 Mpa  
Over-pressure protection  
Over-heating protection  
Humidity protection  
Dry-heating protection  
Power rate: 1500 W  
Isolation thickness: 20 mm

## DIMENSIONS

**Product height (mm):** 791  
**Product width (mm):** 450  
**Product depth (mm):** 450  
**Product length (mm):**  
**Net weight (Kg):** 23,98



## TECH SPECS

### PARTICULAR CHARACTERISTICS

**Power rate (V):** 220-240  
**Frequency (Hz):** 50/60  
**Power rate (W):** 1.500  
**Plug type:** EU  
**Type of installation:** Vertical  
**Certificates:** CE  
**Average number of users:** 2-4  
**Control panel:** ELECTRONIC  
**Number of power levels:** 1  
**Maximum input pressure (Mpa):** 0,75  
**Sapphire Enamelled Steel Tank:** Yes  
**Magnesium protection anode:** Yes  
**Heating element indicator lamp:** Yes  
**Insulation thickness (mm):** 20,00  
**Degree of protection against humidity:** IPX4  
**Protection against heating:** Yes  
**Dry heating protection:** Yes

**EU REGULATION NO.**  
**812/2013**

**Declared load profile:** M  
**Water heating energy efficiency class:** B  
**Annual energy consumption AEC kWh/annum (kWh):** 1169,00  
**Sound power level L WA (dB):** 15





SMART EWH 80 VE-D

ENERGY LABEL

