



# ML 820 BI 20L Built-in Mechanical Microwave



Defrost By  
Time

---

**DESCRIPTION**

20L Built-in Mechanical Microwave

**LIFE STYLE**

Maestro

**COLOURS**



**REFERENCE**

REF. 40584201  
EAN. 8421152145562

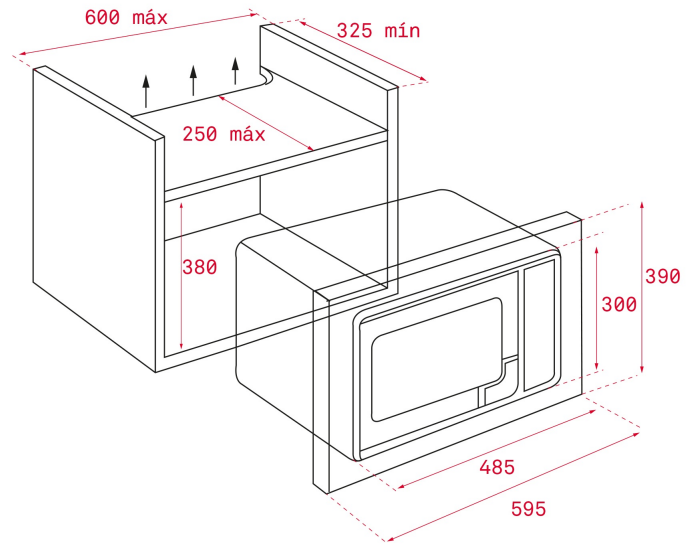


**TEKA**

**ML 820 BI**

**FEATURES**

Built-in Microwave  
1 cooking function  
5 power levels, 1200 W  
Defrost by time  
Mechanical control knobs  
Double glazed door with right opening  
Automatic disconnection when open door  
Capacity (gross/net): 18 / 20 litres  
Stainless steel cavity



## DIMENSIONS

**Product height (mm):** 390  
**Product width (mm):** 595  
**Product depth (mm):** 325  
**Product length (mm):**  
**Net weight (Kg):** 18,6

## TECH SPECS

### PARTICULAR CHARACTERISTICS

**Certificates:** CE/CB  
**Number of cavities:** 1  
**Number of cooking functions:** 1  
**Number of guide levels (lower cavity):** 0  
**Microwave function:** Yes  
**Number of power levels:** 5

### ELECTRIC CONNECTION

**Maximum Nominal Power (W):** 1200  
**Frequency (Hz):** 50  
**Power rate (V):** 220 - 240  
**Cable Connection Length (cm):** 110  
**Plug:** Yes

### SECURITY SYSTEM

**Automatic disconnection when opening the door:** Yes  
**Safety Thermostat:** Yes

### ACCESSORIES

**Glass Tray:** 0

**ENERGY EFFICIENCY**

**Energy Efficiency Index (EEI): A**

