

TEKA

SteakMaster BK-SS

Multifunction pyrolytic oven with special grill and cast iron grid for steaks



Plus extension guides: 75% extraction



HydroClean steam cleaning system



Pyrolysis cleaning system



SoftClose



SurroundTemp

REFERENCE

REF: 111000026

EAN: 8434778009910

FEATURES

SteakMaster oven

Multifunction SurroundTemp oven

13 cooking functions

Powerful SteakGrill (700°C)

Pyrolysis self-cleaning system and automatic HydroClean system

Touch control display with knobs

Electronic timer (Delay/Start function)

20 automatic programs for meat

Chrome supports with 5 cooking levels

Plus Extension Telescopic guides

Removable quadruple glazed door

SoftClose system

Automatic disconnection security system

Children safety lock

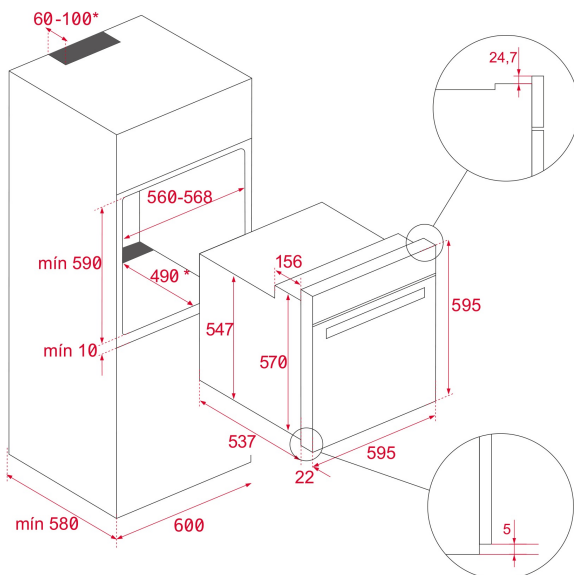
Automatic quick preheating

Anti-tip deep tray and reinforced grid

Special cast iron grid for steaks included

Capacity (gross/net): 71 / 63 litres

DIMENSIONS

Product height (mm): 595**Product width (mm):** 595**Product depth (mm):** 537+22**Product length (mm):****Net weight (Kg):** 45,8

TECHNICAL DETAILS

Energy Efficiency Class: A

Power rate (V): 220-240

Frequency (Hz): 50/60

Maximum Nominal Power (W): 3518

COLOURS



111000026

Black glass with frame



111000036

Black glass