

AirFry HLC 8406 BK

Multifunction compact oven with special AirFry function, 9 cooking functions and HydroClean system



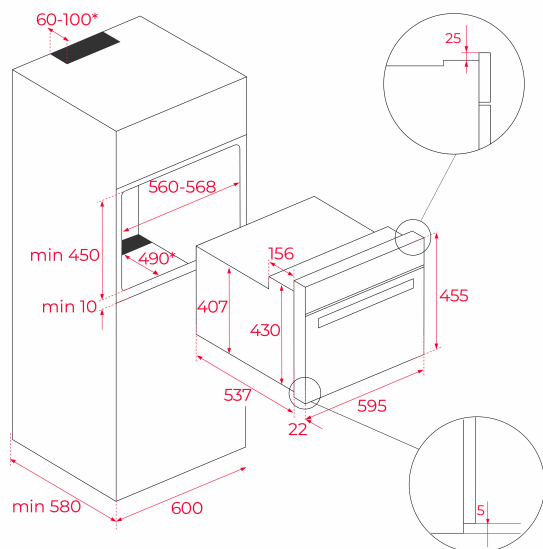
44 L



HydroClean
steam
cleaning
system



SurroundTemp

**REFERENCE**

REF: 111130009

EAN: 8434778026535

FEATURES

Multifunction SurroundTemp oven
9 cooking functions
Special FryMaster Box to cook without oil
Automatic HydroClean system
Touch control display with knobs
Chrome supports with 3 cooking levels and 1 telescopic guide with easy slide
Removable triple glazed door
Automatic disconnection security system
Manual quick preheating
Anti-tip deep tray and reinforced grid
Capacity (gross/net): 45/44 L

DIMENSIONS**Product height (mm):** 455**Product width (mm):** 595**Product depth (mm):** 537+22**Product length (mm):****Net weight (Kg):** 25**TECHNICAL DETAILS**

Energy Efficiency Class: A+

Power rate (V): 220/240

Frequency (Hz): 50/60

Maximum Nominal Power (W): 3015

COLOURS

111130009

Black glass