



CC 485 ISLAND 40 cm Tubular Island Hood Design with Touch Control and COPOWER motor



LED



Stop Delay
Timer

DESCRIPTION

40 cm Tubular Island Hood Design with Touch Control and COPOWER motor

LIFE STYLE

Maestro

COLOURS

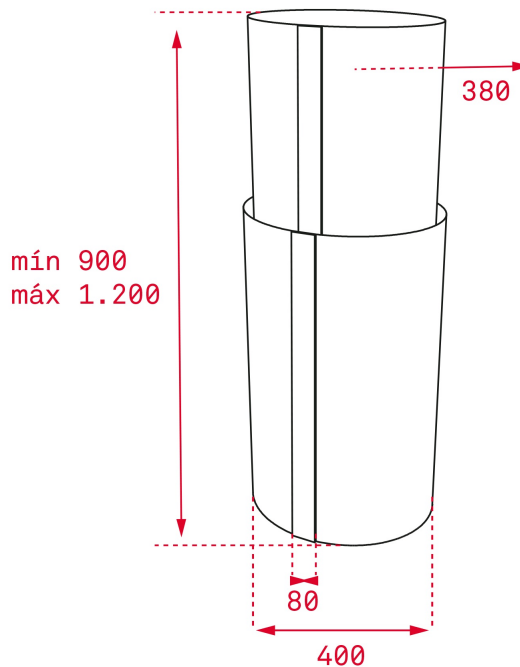


REFERENCE

REF. 40480330
EAN. 8421152145869

FEATURES

Tubular island hood
EcoPower motor
Energy Efficiency class: A
Touch control
Digital display
3 speeds + 1 intensive
Exhaust capacities:
Free Outlet, m³/h: 920
Qboost, m³/h: 771
Max., m³/h: 525
Min., m³/h: 305
Noise (LwA) Boost Speed, dB: 78
Noise (LwA) Max Speed, dB: 72
Noise (LwA) Min Speed, dB: 50
2 LED lamps
1 stainless steel filter
Stop delay timer
Filter saturation indicator



DIMENSIONS

Product height (mm): 900-1200

Product width (mm): 400

Product depth (mm): 400

Product length (mm):

Net weight (Kg): 21,5

TECH SPECS

PARTICULAR CHARACTERISTICS

Type of hood: Island

Style: Decoratives

Certificates: CE; CB

Ø Outlet (mm): 150

Type of inner light: LED

Inside light Consumption (W): 3

Plug type: European plug

Power rate (V): 220240

Frequency (Hz): 50

Total hood power (W): 286

Number of motors: 1

Motor power (W): 280

Exhaust Capacity - Free Outlet (m3/h): 920

**EU REGULATION NO. 65/2014
&66/2104**

Annual energy consumption AEC kWh/annum (kWh): 44,7

Energy Efficiency Class: A

Fluid Dynamic Efficiency (FDEhood): 32,2

Fluid Dynamic Efficiency class: A

Light Efficiency (Lehood) lux/Watt: 87,3

Lighting Efficiency class: A

Grease Filtering Efficiency class: C
Air flow (Qmin) m3/h: 305
Air flow (Qmax): 525
Air flow (Qboost): 771
Noise (LwA) Min Speed (dB): 50
Noise (LwA) Max Speed (dB): 72
Noise (LwA) boost speed (dB): 78
Off mode Power (Po) W: 0,00
Standby Power (Ps) W: 0,74
Energy Efficiency Index (EEI): 47,3
Time increase factor: 0,8
Electric power input at best efficiency point (Wbep) W: 138,2
Nominal power of the lighting system (WL) W: 6
Average illumination of the lighting system on the cooking surface (Emiddle) Lux: 524

ACCESSORIES

Anti Return valve: Yes
Outlet reduction: Yes
Optional Charcoal Filter: D4C
Charcoal filter description: CHARCOAL FILTER D4C
Conventional recirculation kit (with tube cover): 40490148

MODELS

Number of filters: 1
Filter description: Stainless Steel filters
Control panel: Touch control White display
Stop delay timer: Yes
Filter saturation indicator: Yes
Number of speeds: 3+1

PRODUCT INFORMATION SHEET - DELEGATED REGULATION (EU) 65/2014

Supplier name or trademark: TEKA
Model identifier: CC 485 ISLAND
Annual Energy Consumption: 44,7
Energy Efficiency Class: A
Fluid Dynamic Efficiency: 32,2
Fluid Dynamic Efficiency class: A
Lighting Efficiency: 87,3
Lighting Efficiency class: A
Grease Filtering Efficiency:
Grease Filtering Efficiency class: C
Air flow (min speed normal use): 305
Air flow (max speed normal use): 525
Air flow (intensive or boost use): 771
Airborne acoustical A-weighted sound power emissions (min speed normal use): 50
Airborne acoustical A-weighted sound power emissions (max speed normal use): 72
Airborne acoustical A-weighted sound power emissions (intensive or boost use): 78
Power consumption in off mode (W): 0,00
Power consumption in standby mode (W): 0,74



CC 485 ISLAND

ENERGY LABEL

