



HLB 860 P A+ Pyrolytic Oven with 20 recipes



70L



DualClean



Full Extension
Telescopic
Guide



HydroClean



Pyrolysis



SoftClose



SurroundTemp

DESCRIPTION

A+ Pyrolytic Oven with 20 recipes

LIFE STYLE

Maestro

COLOURS



REFERENCE

REF. 41566020
EAN. 8421152148822

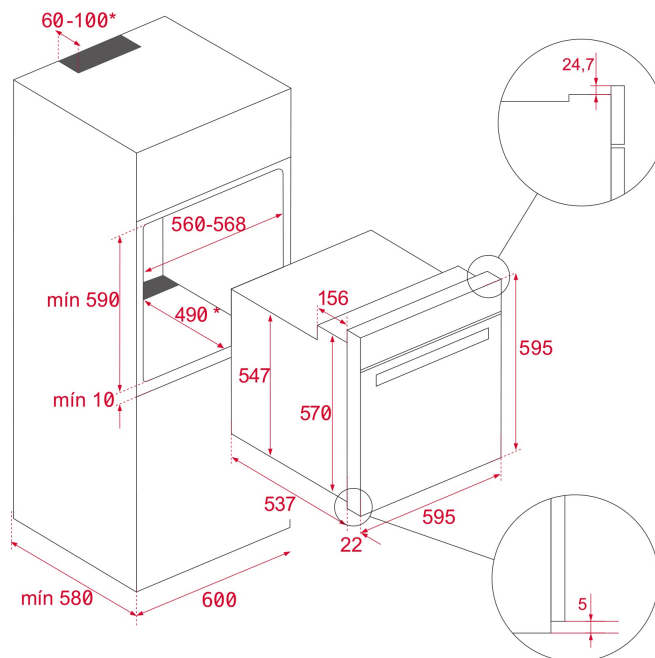


TEKA

HLB 860 P

FEATURES

Multifunction SurroundTemp - 12 Cooking functions
DualClean cleaning system: Pyrolytic self-cleaning (3 levels) + Teka HydroClean® PRO
A+ Energy class: up to 20% less consumption
Capacity, gross/net: 71/70 litres
True colour TFT 4 display with digital timer
Personal cooking assistant (20 recipes)
SlowCook function: low temperature cooking
Automatic temperature and time suggestion for each function
Quick heating
Children safety block
Automatic disconnection security system
Quadruple glazed door
SoftClose system
2 telescopic guides: 1 Full Extension + 1 Plus-Extension, 5 cooking levels
Deep enamelled tray and reinforced grid
Tangential ventilation with 2 speeds



DIMENSIONS

Product height (mm): 595

Product width (mm): 595

Product depth (mm): 537+22

Product length (mm):

Net weight (Kg): 37

TECH SPECS

PARTICULAR CHARACTERISTICS

Certificates: N / CE / CCA / CB

Number of cavities: 1

Type of inner light: Halogen

Inside light position: RIGHT TOP CORNER

Enamelled cavity: Yes

Function selector: ELECTRONIC

Number of cooking functions: 12

Number of recipes: 20

Top + Bottom function: Yes

Grill + Bottom function: Yes

Grill function: Yes

MaxiGrill function: Yes

Top + Bottom + Fan function: Yes

Bottom function: Yes

Bottom + TURBO (Pizza) function: Yes

Turbo function: Yes

ECO function: Yes

Ferment function: Yes

Automatic quick heating: Yes

Slow Cook: Yes

Knobs type: MMX FIX ROTATIVE

Ring Illuminated: Yes

Removable chromed tray guides: Yes
Number of guide levels: 5
Full extension telescopic guides: Yes
Easy slide telescopic guides: Yes
SoftClose: Yes

ELECTRIC CONNECTION

Maximum Nominal Power (W): 3552
Frequency (Hz): 50/60
Power rate (V): 220-240
Cable Connection Length (cm): 150
Plug: Yes
Inside light Consumption (W): 25

ENERGY CONSUMPTION

Energy consumption per cycle in conventional mode (kWh):
0.87
Energy consumption per cycle in fan-forced convection mode (kWh): 0,68
Bottom Heating Element (W): 1050
Bottom Heating Element (W) (lower cavity): 1050
Grill (W): 1400
Maxi Grill (W): 2450
Traditional (W): 2450
Turbo (W): 2000
Multifunction Turbo (W): 25
Cooling Fan Motor (W): 30

SECURITY SYSTEM

Automatic disconnection when opening the door: Yes
Panel blocking system: Yes
Children safety block option: Yes
Grill protection: Yes
Anti-tip tray system: Yes
Safety Thermostat: Yes

CLEANING SYSTEM

Crystal Clean Enamel (Slippery): Yes
Hydroclean PRO: Yes
Pyrolytic: Yes
DualClean: Yes

ACCESSORIES

Deep Tray (50 mm): 1
Steak tray: 0
Reinforced grid: 1

ENERGY EFFICIENCY

Energy Efficiency Class: A+
Energy Efficiency Index (EEI): 81

PRODUCT INFORMATION SHEET - DELEGATED REGULATION (EU) 65/2014

Supplier name or trademark: TEKA
Model identifier: HLB 860 P
Number of cavities: 1

Cavity 1

Energy Efficiency Index: 81
Energy Efficiency Class: A+
Energy consumption per cycle (conventional mode): 0.87
Energy consumption per cycle (fan-forced convection mode):
0,68
Volume: 71



HLB 860 P

ENERGY LABEL

ENERG
енергия · енергija

TEKA HLB 860 P

A+++
A++
A+
A
B
C
D

A+

70 L

0.88 kWh/cycle*

0.68 kWh/cycle*

* циркул · cycles · portion · siklus · porção · ciclo · büklet · objéma · ciklus · ciklas · ciklu · siklus · cykl · ciku · program · cykel

65/2014