



TKS 893 H Free-stranding dryer A+++ condensate heat pump with capacity of 8 kg



Hand Wash



Washing capacity: 8Kg

DESCRIPTION

Free-stranding dryer A+++ condensate heat pump with capacity of 8 kg

LIFE STYLE

Maestro

COLOURS



REFERENCE

REF. 40854002
EAN. 8421152160848

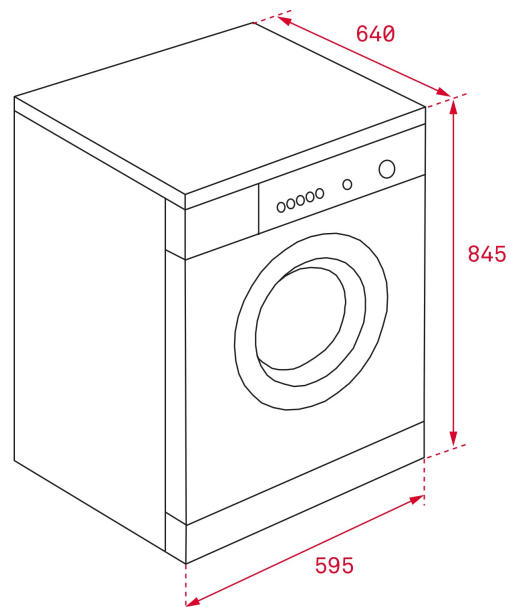


TEKA

TKS 893 H

FEATURES

Free Standing Dryer
Condensed heat pump drying technology
ExcellentDry sensor
Electronic control panel
Drying capacity: 8 kg
Drying programs: 16
ECO mode program
Delay timer: 1-23 hours
48 cm wide porthole door

TEKA**TKS 893 H**

DIMENSIONS

Product height (mm): 845
Product width (mm): 595
Product depth (mm): 640
Product length (mm):
Net weight (Kg): 50

TECH SPECS

PRODUCT SHEET

Type of installation: Free Standing
Drying capacity (Kgs): 8
Condensation efficiency: B
Energy consumption per drying cycle (Full load) (kWh): 1.5
Energy consumption (kWh/year): 176
Duration of drying cycle (Full load) (minutes): 144
Automatic (sensor drying): Yes
Certificates: CE, CB

POWER SUPPLY

Frequency (Hz): 50
Power rate (V): 220-240
Maximum Nominal Power (W): 650
Nominal power motor (W): 120

FEATURES

Glass door diameter (cms): 48
Number of programs: 16
Control panel: ELECTRONIC
Bidirectional rotation: Yes
Drum light: Yes

CONTROL INDICATOR LIGHTS

Drum: Zincification steel

Remaining time: Yes

Drying: Yes

Dryer timer: Yes

SPECIAL FUNCTIONS

Economic program: Yes

Delayed Timer (h): 1-24 hours

EQUIPMENT

Adjustable Feet Back: Yes

Adjustable feet front: Yes



TKS 893 H

ENERGY LABEL

