



**LI5 1481 EU** Built-In Washing Machine with 15 washing programs



Quick Cycle



Washing capacity: 8Kg

**DESCRIPTION**

Built-In Washing Machine with 15 washing programs

**LIFE STYLE**

Maestro

**COLOURS**



**REFERENCE**

REF. 114000003  
EAN. 8434778015393

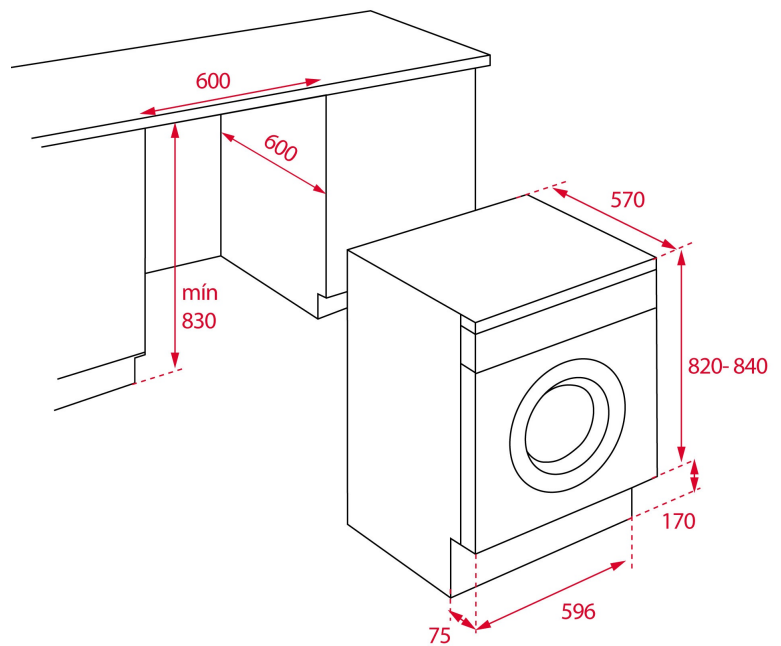


**TEKA**

**LI5 1481 EU**

## **FEATURES**

Built-in Washing Machine  
Electronic control panel  
Washing capacity: 8 kg  
15 washing programs  
Fast program: 14 minutes  
Special programs: ECO mode, Delicate  
Delay timer function  
SmartWash system  
Maximum spinning speed: 1400 RPM  
Automatic water regulation  
Automatic door lock safety system  
Child lock  
SoftCare drum  
Delay timer: 1-24 hours  
30 cm wide porthole door



## DIMENSIONS

**Product height (mm):** 820  
**Product width (mm):** 596  
**Product depth (mm):** 570  
**Product length (mm):**  
**Net weight (Kg):** 68

## TECH SPECS

### PRODUCT SHEET

**Type of installation:** Built-in  
**Energy consumption (kWh/year):** 118  
**Water consumption (litres/year):** 9850

### POWER SUPPLY

**Frequency (Hz):** 50  
**Power rate (V):** 220-240  
**Maximum Nominal Power (W):** 1600  
**Nominal power motor (W):** 350  
**Power of heating element (W):** 1600

### PARTICULAR CHARACTERISITICS

**Stainless Steel Drum:** Yes  
**Number of programs:** 15  
**Number Of Washing Temperatures:** 5  
**Control panel:** ELECTRONIC  
**Electronic washing management:** Yes  
**Child lock:** Yes  
**Auto lock door:** Yes  
**Cancel spin cycle button:** Yes

### CONTROL INDICATOR LIGHTS

**Selected program indicator:** Yes

## **SPECIAL FUNCTIONS**

**Remaining time:** Yes

**Fast program:** Yes

**Fast program (minutes):** 14

**Economic program:** Yes

**Intense program:** Yes

**Delayed Timer (h):** 0-24

**Delicate fabrics:** Yes

**Resistant:** Yes

## **EQUIPMENT**

**Adjustable Feet Back:** Yes

**Adjustable feet front:** Yes



LI5 1481 EU

ENERGY LABEL

The energy label for the TEKA LI5 1481 EU includes the following information:

- Energy Efficiency Class:** A (indicated by a black arrow pointing to the 'A' class on the scale).
- Energy Consumption:** 47 kWh / 100 cycles.
- Washing Capacity:** 8,0 kg.
- Washing Time:** 3:38.
- Water Consumption:** 44 L.
- Spin Speed Class:** ABCDEFG.
- Noise Level Class:** ABCD (75 dB).

Additional features include the EU Energy Label logo, the TEKA brand name, the model number LI5 1481 EU, a QR code, and a small vertical text 'R10228002' at the bottom right.