



**WMT 10610** HomeCare Series Free Standing Washing Machine with 15 washing programs



Quick Cycle

**DESCRIPTION**

HomeCare Series Free Standing Washing Machine with 15 washing programs

**LIFE STYLE**

Easy

**COLOURS**

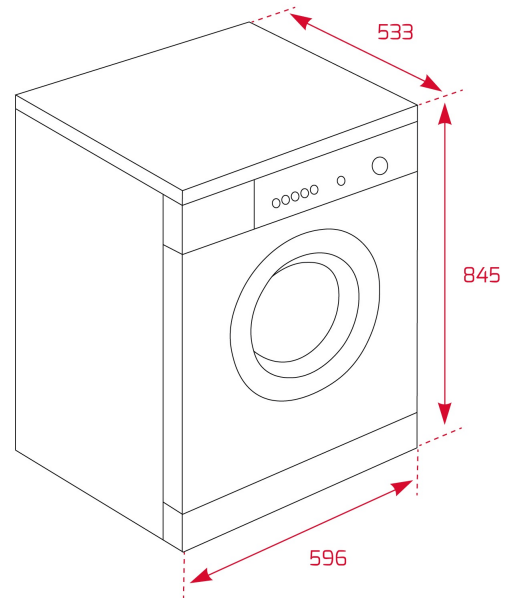


**REFERENCE**

REF. 113920005  
EAN. 8434778016543

**FEATURES**

HomeCare series  
Free standing Washing Machine  
Electronic control panel with display  
Washing capacity: 6 kg  
15 washing programs  
Fast program: 15 minutes  
Special programs: ECO mode, Wool care, Delicate  
Special functions: Delay timer, Extra rinse  
SmartWash system  
Maximum spinning speed: 1000 RPM  
Automatic water regulation  
Automatic door lock safety system  
Child lock  
Balance control system  
SoftCare drum  
Delay timer:1-24 hours  
30 cm wide porthole door



## DIMENSIONS

**Product height (mm):** 845  
**Product width (mm):** 596  
**Product depth (mm):** 533  
**Product length (mm):**  
**Net weight (Kg):** 55,2

## TECH SPECS

### PRODUCT SHEET

**Type of installation:** Free standing  
**Energy consumption (kWh/year):** 151  
**Water consumption (litres/year):** 9900

### POWER SUPPLY

**Frequency (Hz):** 50  
**Power rate (V):** 220-240  
**Plug type:** EU  
**Cable Connection Length (cm):** 160  
**Maximum Nominal Power (W):** 2100  
**Nominal power motor (W):** No  
**Power of heating element (W):** 1850  
**Water outlet hose length (m):** 1.695  
**Water inlet hose length (m):** 1470

### PARTICULAR CHARACTERISTICS

**Stainless Steel Drum:** Yes  
**Glass door diameter (cms):** 44  
**Number of programs:** 15  
**Number Of Washing Temperatures:** 8  
**Control panel:** ELECTRONIC

**CONTROL INDICATOR LIGHTS**

**SPECIAL FUNCTIONS**

**EQUIPMENT**

**Electronic washing management:** Yes

**Child lock:** Yes

**Auto lock door:** Yes

**Cancel spin cycle button:** Yes

**Removable work top:** Yes

**Selected program indicator:** Yes

**Remaining time:** Yes

**Fast program:** Yes

**Fast program (minutes):** 15

**Economic program:** Yes

**Delicate fabrics:** Yes

**Adjustable Feet Back:** Yes

**Adjustable feet front:** Yes



WMT 10610

ENERGY LABEL

