



WMT 40840 ExpertCare Series Free Standing Washing Machine with 15 washing programs



Quick Cycle

DESCRIPTION

ExpertCare Series Free Standing Washing Machine with 15 washing programs

LIFE STYLE

Total

COLOURS

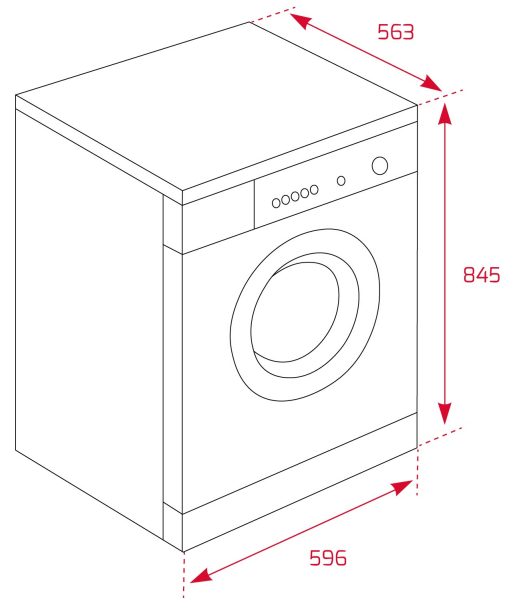


REFERENCE

REF. 113910003
EAN. 8434778016581

FEATURES

ExpertCare series
Free standing Washing Machine
Inverter motor
Electronic control panel with display
Washing capacity: 8 kg
15 washing programs
Fast program: 15 minutes
Special programs. ECO mode, Wool care,
Delicate, Anti-allergies mode
Special functions: Easy ironing, Delay timer,
Speed wash, Extra rinse, Anti-allergies
SmartWash system
Maximum spinning speed: 1400 RPM
Automatic water regulation
Automatic door lock safety system
Child lock
Balance control system
SoftCare drum
Delay timer: 1-24 hours
30 cm wide porthole door

TEKA**WMT 40840**

DIMENSIONS

Product height (mm): 845
Product width (mm): 596
Product depth (mm): 563
Product length (mm):
Net weight (Kg): 70,5

TECH SPECS

PRODUCT SHEET

Type of installation: Free standing
Energy consumption (kWh/year): 194
Water consumption (litres/year): 10224

POWER SUPPLY

Frequency (Hz): 50
Power rate (V): 220-240
Plug type: EU
Cable Connection Length (cm): 160
Maximum Nominal Power (W): 2200
Nominal power motor (W): No
Power of heating element (W): 1850
Water outlet hose length (m): 1.635
Water inlet hose length (m): 1470

PARTICULAR CHARACTERISTICS

Stainless Steel Drum: Yes
Glass door diameter (cms): 47
Number of programs: 15
Number Of Washing Temperatures: 8
Control panel: ELECTRONIC

CONTROL INDICATOR LIGHTS

SPECIAL FUNCTIONS

EQUIPMENT

Electronic washing management: Yes

Child lock: Yes

Auto lock door: Yes

Cancel spin cycle button: Yes

Removable work top: Yes

Selected program indicator: Yes

Remaining time: Yes

Fast program: Yes

Fast program (minutes): 15

Economic program: Yes

Delicate fabrics: Yes

Adjustable Feet Back: Yes

Adjustable feet front: Yes



WMT 40840

ENERGY LABEL

The energy label for the TEKA WMT 40840 WH dishwasher features the following information:

- Energy Class:** C (indicated by a black arrow pointing to the 'C' level on the scale).
- Energy Consumption:** 63 kWh / 100 cycles.
- Washing Capacity:** 8,0 kg.
- Washing Time:** 3:35.
- Water Consumption:** 48 L.
- Sound Power Level:** 76 dB.
- Energy Efficiency Class:** ABCDEFG.
- Sound Class:** ABCD.

Additional details include the TEKA logo, the model number WMT 40840 WH, the European Union flag, the ENERGY logo, and a QR code.