



**WMT 40840** ExpertCare Series Free Standing Washing Machine with 15 washing programs



Quick Cycle

**DESCRIPTION**

ExpertCare Series Free Standing Washing Machine with 15 washing programs

**LIFE STYLE**

Total

**COLOURS**

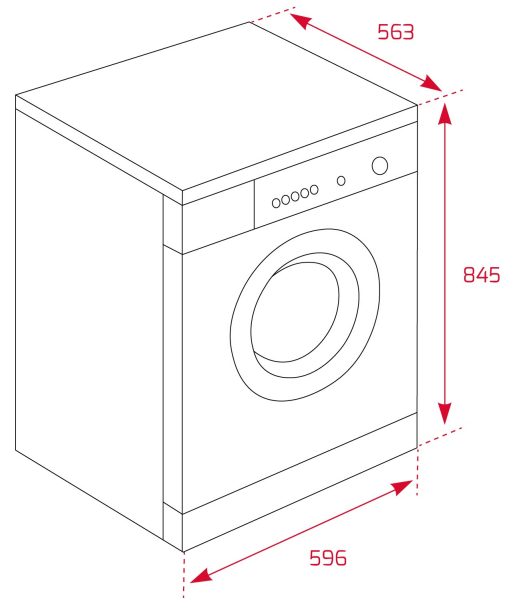


**REFERENCE**

REF. 113910004  
EAN. 8434778016598

**FEATURES**

ExpertCare series  
Free standing Washing Machine  
Inverter motor  
Electronic control panel with display  
Washing capacity: 8 kg  
15 washing programs  
Fast program: 15 minutes  
Special programs: ECO mode, Wool care, Delicate, Anti-allergies mode  
Special functions: Delay timer, Speed wash, Extra rinse, Anti-allergies mode  
SmartWash system  
Maximum spinning speed: 1400 RPM  
Automatic water regulation  
Automatic door lock safety system  
Child lock  
Balance control system  
SoftCare drum  
Delay timer: 1-24 hours  
30 cm wide porthole door

**TEKA****WMT 40840**

## DIMENSIONS

**Product height (mm):** 845  
**Product width (mm):** 596  
**Product depth (mm):** 563  
**Product length (mm):**  
**Net weight (Kg):** 70,5

## TECH SPECS

### PRODUCT SHEET

**Type of installation:** Free standing  
**Energy consumption (kWh/year):** 194  
**Water consumption (litres/year):** 10224

### POWER SUPPLY

**Frequency (Hz):** 50  
**Power rate (V):** 220-240  
**Plug type:** EU  
**Cable Connection Length (cm):** 160  
**Maximum Nominal Power (W):** 2200  
**Nominal power motor (W):** No  
**Power of heating element (W):** 1850  
**Water outlet hose length (m):** 1.635  
**Water inlet hose length (m):** 1470

### PARTICULAR CHARACTERISTICS

**Stainless Steel Drum:** Yes  
**Glass door diameter (cms):** 47  
**Number of programs:** 15  
**Number Of Washing Temperatures:** 8  
**Control panel:** ELECTRONIC

**CONTROL INDICATOR LIGHTS**

**SPECIAL FUNCTIONS**

**EQUIPMENT**

**Electronic washing management:** Yes

**Child lock:** Yes

**Auto lock door:** Yes

**Cancel spin cycle button:** Yes

**Removable work top:** Yes

**Selected program indicator:** Yes

**Remaining time:** Yes

**Fast program:** Yes

**Fast program (minutes):** 15

**Economic program:** Yes

**Delicate fabrics:** Yes

**Adjustable Feet Back:** Yes

**Adjustable feet front:** Yes



WMT 40840

ENERGY LABEL

The energy label for the TEKA WMT 40840 SS dishwasher features the following information:

- Energy Class:** C, indicated by a black arrow pointing to the 'C' level on the scale.
- Energy Consumption:** 63 kWh / 100 cycles.
- Capacity:** 8,0 kg.
- Program Duration:** 3:35.
- Water Consumption:** 48 L.
- Noise Level:** 76 dB.
- Energy Class for Noise:** ABCD.
- Energy Class for Water Consumption:** ABCDEFG.

Additional details include the TEKA logo, the model number WMT 40840 SS, the European Union flag, and a QR code.