



SHT 70820 ExpertCare Series Dryer with 15 drying programs and 8kg capacity



Quick Cycle



Washing capacity: 8Kg

DESCRIPTION

ExpertCare Series Dryer with 15 drying programs and 8kg capacity

LIFE STYLE

Maestro

COLOURS

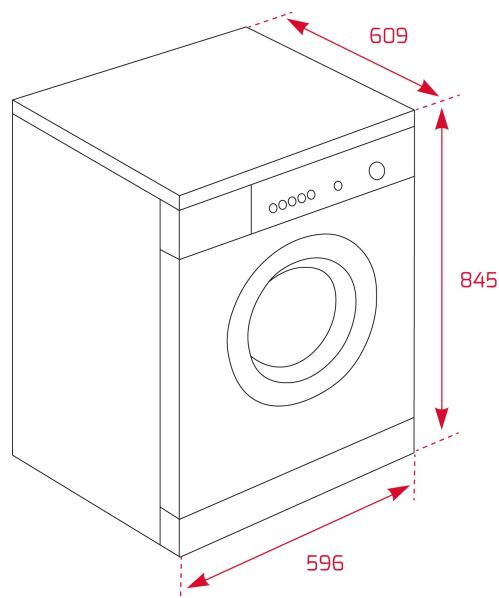


REFERENCE

REF. 114060001
EAN. 8434778016642

FEATURES

PremiumCare series
Free Standing Dryer
Condensed heat pump drying technology
ExcellentDry sensor
Electronic control panel with display
Drying capacity: 8 kg
Drying programs: 15
Fast program: 20/34 minutes
Special programs: ECO mode, Wool care, Delicate, Sport, Baby Care, Refresh, Express
Express: 34 minutes
Shirts: 20 minutes
Special functions: Delay timer, Easy ironing, Delicate, Drying level, Time Dry
Child lock
SoftCare drum
Delay timer: 1-23 hours
47 cm wide porthole door
Reversible door



DIMENSIONS

Product height (mm): 845
Product width (mm): 596
Product depth (mm): 609
Product length (mm):
Net weight (Kg): 48,8

TECH SPECS

PRODUCT SHEET

Type of installation: Free Standing
Drying capacity (Kgs): 8
Condensation efficiency: B
Energy consumption per drying cycle (Full load) (kWh): 1.88
Energy consumption (kWh/year): 235
Duration of drying cycle (Full load) (minutes): 133
Automatic (sensor drying): Yes

POWER SUPPLY

Frequency (Hz): 50
Power rate (V): 220-240
Maximum Nominal Power (W): 1000
Nominal power motor (W): 200

PARTICULAR CHARACTERISITICS

Glass door diameter (cms): 47
Number of programs: 15
Control panel: ELECTRONIC T2 TOUCH
Child lock: Yes
Cancel spin cycle button: Yes
Bidirectional rotation: Yes

CONTROL INDICATOR LIGHTS

Reversible door: Yes
Drum light: Yes
Drum: Stainless Steel

Selected program indicator: Yes
Remaining time: Yes
Drying: Yes
Dryer timer: Yes
Full water tank indicator: Yes

SPECIAL FUNCTIONS

Fast program: Yes
Fast program (minutes): 20 min / 34 min
Economic program: Yes
Delayed Timer (h): 1-23
Delicate fabrics: Yes
Resistant: Yes
Easy ironing/anti crease: Yes

EQUIPMENT

Adjustable Feet Back: Yes
Adjustable feet front: Yes



SHT 70820

ENERGY LABEL

The energy label for the TEKA SHT 70820 WH washing machine is a vertical rectangular sticker. At the top left is the European Union flag. To its right, the word "ENERGY" is written in large letters, with "енергия" (energy) in Cyrillic and "енерџија" (energy) in Latin script below it. Further right are two circular icons: one with a 'Y' and 'IE' (Energy Efficiency Index) and another with 'IA' (Water Efficiency Index). Below this header is the TEKA logo and the model number "SHT 70820 WH".

The main part of the label features a vertical scale of energy efficiency classes from A+++ at the top to D at the bottom, each represented by a colored arrow pointing right. A black arrow points to the A++ class, which is highlighted in a black box.

Below the scale, the energy consumption is listed as "235 kWh/annum". To the left of this, the word "ENERGIA" is written in multiple languages: ENERGIJA, ЕНЕРГИЈА, ENERTEİA, ENERGIJA, ENERGY, ENERGIE, ENERGI.

Three icons are arranged horizontally: a washing machine cycle icon with "174 min/cycle*", a laundry basket icon with "8,0 kg", and a speaker icon with "65 dB".

At the bottom left, there is a water saving icon (three downward arrows) and the text "ABCDEFG". At the bottom right, there is a small disclaimer in multiple languages: "turkey - cyklus - porton - zykus", "položívanie - ciclo - troklat", "ohjelma - siklus - ciklas - cikls", "ciklus - vesilas - qyli - ciclo", "program - toskomgãng".

The number "392/2012" is printed at the very bottom left corner of the label.