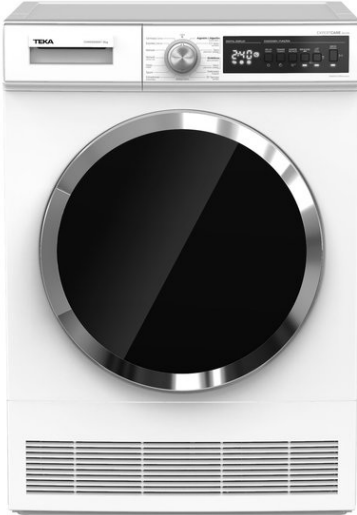




**SCT 70810** ExpertCare Series Dryer with 15 drying programs and 8kg capacity



Quick Cycle



Washing capacity: 8Kg

**DESCRIPTION**

ExpertCare Series Dryer with 15 drying programs and 8kg capacity

**LIFE STYLE**

Maestro

**COLOURS**

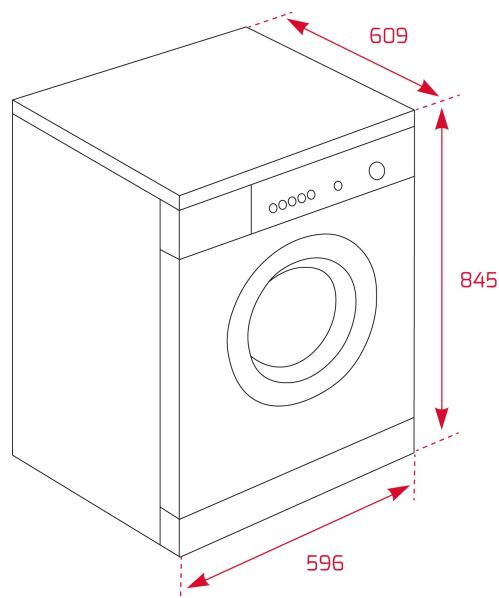


**REFERENCE**

REF. 114060002  
EAN. 8434778016659

**FEATURES**

PremiumCare series  
Free Standing Dryer  
Condensed drying technology  
ExcellentDry sensor  
Electronic control panel with display  
Drying capacity: 8 kg  
Drying programs: 15  
Fast program: 12/29 minutes  
Special programs: ECO mode, Wool care, Delicate, Sport, Baby Care, Refresh, Express  
Express: 29 minutes  
Shirts: 12 minutes  
Special functions: Delay timer, Easy ironing, Delicate, Drying level, Time Dry  
Child lock  
SoftCare drum  
Delay timer: 1-23 hours  
47 cm wide porthole door  
Reversible door



## DIMENSIONS

**Product height (mm):** 845  
**Product width (mm):** 596  
**Product depth (mm):** 609  
**Product length (mm):**  
**Net weight (Kg):** 38,9

## TECH SPECS

### PRODUCT SHEET

**Type of installation:** Free Standing  
**Drying capacity (Kgs):** 8  
**Condensation efficiency:** B  
**Energy consumption per drying cycle (Full load) (kWh):** 4.68  
**Energy consumption (kWh/year):** 561  
**Duration of drying cycle (Full load) (minutes):** 99  
**Automatic (sensor drying):** Yes

### POWER SUPPLY

**Frequency (Hz):** 50  
**Power rate (V):** 220-240  
**Maximum Nominal Power (W):** 2700  
**Nominal power motor (W):** 200

### PARTICULAR CHARACTERISITICS

**Glass door diameter (cms):** 47  
**Number of programs:** 15  
**Control panel:** ELECTRONIC T2  
**Child lock:** Yes  
**Cancel spin cycle button:** Yes  
**Bidirectional rotation:** Yes

## CONTROL INDICATOR LIGHTS

**Reversible door:** Yes  
**Drum light:** Yes  
**Drum:** Stainless Steel

**Selected program indicator:** Yes  
**Remaining time:** Yes  
**Drying:** Yes  
**Dryer timer:** Yes  
**Full water tank indicator:** Yes

## SPECIAL FUNCTIONS

**Fast program:** Yes  
**Fast program (minutes):** 12 min / 29 min  
**Economic program:** Yes  
**Delayed Timer (h):** 1-23  
**Delicate fabrics:** Yes  
**Resistant:** Yes  
**Easy ironing/anti crease:** Yes

## EQUIPMENT

**Adjustable Feet Back:** Yes  
**Adjustable feet front:** Yes



SCT 70810

ENERGY LABEL

The energy label for the TEKA SCT 70810 WH washing machine features a blue header with the European Union flag and the word "ENERG" in large letters, with "енергия" (energy) in Cyrillic and "енергія" (energy) in Ukrainian below it. To the right of "ENERG" are four small circles containing the letters Y, IA, IE, and IA. Below the header is the TEKA logo and the model number SCT 70810 WH. The main part of the label is a vertical bar with seven energy efficiency levels: A+++ (green), A++ (light green), A+ (yellow-green), A (yellow), B (orange), C (red-orange), and D (red). A black arrow points to the B level. Below the bar, the text "ENERGIA · ЕНЕРГІЯ · ENERTEIA" is followed by "ENERGIA · ENERGY · ENERGIE" and "ENERGI". To the right of this text is a box containing the number "561" and the unit "kWh/annum". Below the text are four icons: a washing machine, a clock, a t-shirt, and a speaker. Below these icons are the values "129 min/cycle\*", "8,0 kg", and "65 dB". At the bottom left is a small icon of a hand holding a water tap with the text "ABCDEF" below it. At the bottom right is a small text block: "\*цикл - цикл - portion - zykus, porzijsana - ciclo - tsikkeli, opletma - nálos - ciklus - ciklu, ciklu - cyclus - cykl - ciclo, program - tarkomgng". At the bottom left corner of the label is the number "392/2012".