



# HLB 840 A+ Multifunction Oven with HydroClean® PRO cleaning system



70L



Plus Extension  
Telescopic  
Guide



HydroClean



SurroundTemp

**DESCRIPTION**

A+ Multifunction Oven with HydroClean® PRO cleaning system

**LIFE STYLE**

Maestro

**COLOURS**



**REFERENCE**

REF. 41560071  
EAN. 8421152148501

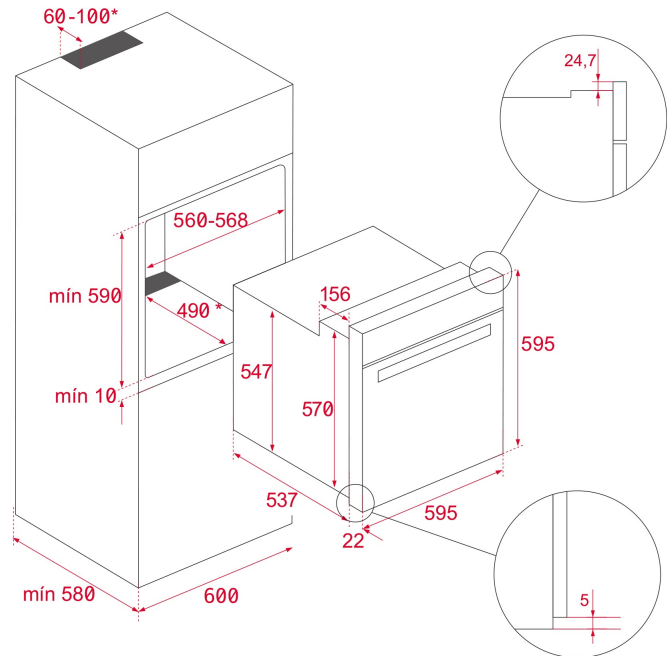


**TEKA**

**HLB 840**

**FEATURES**

Multifunction SurroundTemp oven  
9 cooking functions  
Automatic HydroClean system  
Mechanical control knobs  
Electronic timer  
Chrome supports with 5 cooking levels  
Easy slide telescopic guides  
Removable double glazed door  
Manual quick preheating  
Anti-tip deep tray and reinforced grid  
Capacity (gross/net): 71 / 70 litres



## DIMENSIONS

**Product height (mm):** 595

**Product width (mm):** 595

**Product depth (mm):** 537+22

**Product length (mm):**

**Net weight (Kg):** 28

## TECH SPECS

### FEATURES

**Certificates:** N / CE / CCA / CB/GMARK

**Number of cavities:** 1

**Type of inner light:** Halogen

**Inside light position:** RIGHT TOP CORNER

**Enamelled cavity:** Yes

**Min. Temperature Regulator (°C):** 50

**Max. Temperature Regulator (°C):** 250

**Function selector:** 11+0

**Number of cooking functions:** 9

**Top + Bottom function:** Yes

**Grill function:** Yes

**MaxiGrill function:** Yes

**MaxiGrill + Fan function:** Yes

**Bottom function:** Yes

**Bottom + TURBO (Pizza) function:** Yes

**Turbo function:** Yes

**ECO function:** Yes

**Mechanical quick heating:** Yes

**Touch Control Programmer:** Yes

**Knobs type:** MMX FIX knurling printed

**Removable chromed tray guides:** Yes

**Number of guide levels:** 5

**Easy slide telescopic guides:** Yes

**Drop-down grill:** Yes

## **ELECTRIC CONNECTION**

**Maximum Nominal Power (W):** 3215

**Frequency (Hz):** 50/60

**Power rate (V):** 220-240

**Cable Connection Length (cm):** 110

**Inside light Consumption (W):** 25

## **ENERGY CONSUMPTION**

**Energy consumption per cycle in conventional mode (kWh):**  
0.81

**Energy consumption per cycle in fan-forced convection mode (kWh):** 0,68

**Bottom Heating Element (W):** 1150

**Grill (W):** 1400

**Maxi Grill (W):** 2500

**Traditional (W):** 2550

**Turbo (W):** 2000

**Multifunction Turbo (W):** 22

**Cooling Fan Motor (W):** 18

## **SAFETY SYSTEMS**

**Panel blocking system:** Yes

**Grill protection:** Yes

**Anti-tip tray system:** Yes

**Safety Thermostat:** Yes

## **CLEANING SYSTEM**

**Crystal Clean Enamel (Slippery):** Yes

**Hydroclean PRO:** Yes

## **ACCESSORIES**

**Deep Tray (50 mm):** 1

**Reinforced grid:** 1

## **ENERGY EFFICIENCY**

**Energy Efficiency Class:** A+

**Energy Efficiency Index (EEI):** 81



HLB 840

ENERGY LABEL

The energy label for the TEKA HLB 840 dishwasher is a vertical rectangular sticker with a blue border. At the top left is the European Union flag. To its right is the word "ENERG" in large blue letters, with "енергия · ενεργεια" in smaller text below it. Further right are two circular icons: one with "Y IJA" and another with "IE IA". Below this header is the TEKA logo and the model number "HLB 840". A central graphic shows a vertical bar with energy efficiency levels from A+++ (green) at the top to D (red) at the bottom. A black arrow points to the A+ level. Below the bar are two boxes: the first shows a dishwasher icon and "70 L"; the second shows a cycle icon and "0.68 kWh/cycle\*". At the bottom, there is a small line of text in multiple languages and the date "65/2014".