



# 90cm Decorative Hood with Touch Control Display and ECOPOWER A4 motor



LED lighting



Full A 4 energy label: A class in energy efficiency, fluid dynamic, lightning and grease filtering.



Stop delay timer

## DESCRIPTION

90cm Decorative Hood with Touch Control Display and ECOPOWER A4 motor

## LIFE STYLE

Maestro

## COLOURS



## REFERENCE

REF. 40437100  
EAN. 8421152145661



TEKA

## 90cm Decorative Hood with Touch Control Display and ECOPOWER A4 motor

### FEATURES

Ultraslim decorative hood  
EcoPower motor  
Energy Efficiency class: A  
4A (Energy efficiency A, Fluid dynamic efficiency A, lighting efficiency A, grease filtering efficiency A)  
Touch control panel  
Operating Pilot Light  
3 speeds + 1 intensive  
Exhaust capacities:  
Free Outlet, m<sup>3</sup>/h: 795  
Qboost, m<sup>3</sup>/h: 740  
Max., m<sup>3</sup>/h: 586  
Min., m<sup>3</sup>/h: 306  
Noise (LwA) Boost Speed, dB: 72  
Noise (LwA) Max Speed, dB: 68  
Noise (LwA) Min Speed, dB: 54  
1 LED BAR  
3 stainless steel filters (12 layers)  
Stop delay timer  
Filter saturation indicator

**TEKA**

## 90cm Decorative Hood with Touch Control Display and ECOPOWER A4 motor

### DIMENSIONS

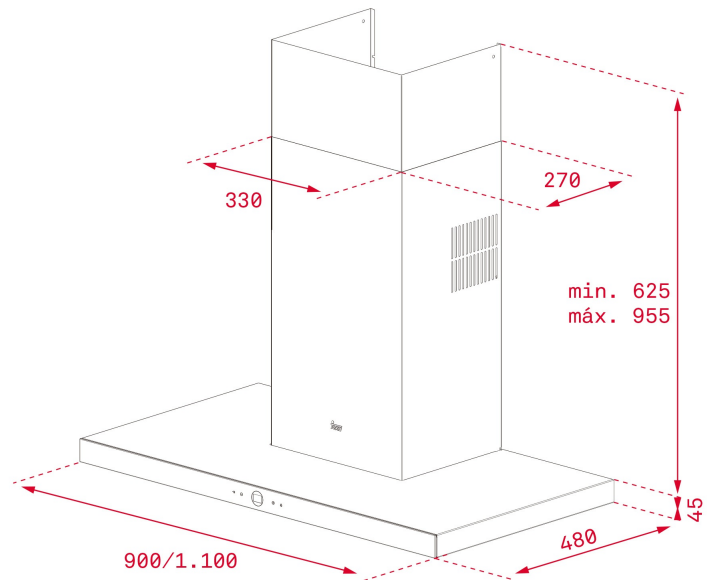
**Product height (mm):** 670-1000

**Product width (mm):** 900

**Product depth (mm):** 480

**Product length (mm):**

**Net weight (Kg):** 15,33



### TECH SPECS

#### PARTICULAR CHARACTERISTICS

**Certificates:** CE; CB; Rohs

**Ø Outlet (mm):** 150

**Type of inner light:** LED

**Inside light Consumption (W):** 17

**Plug type:** Schuko plug

**Power rate (V):** 230

**Frequency (Hz):** 50

**Total hood power (W):** 287

**Number of motors:** 1

**Motor power (W):** 280

**EU REGULATION NO. 65/2014 & 66/2104**

**Annual energy consumption AEC kWh/annum (kWh):** 41,0

**Energy Efficiency Class:** A

**Fluid Dynamic Efficiency (FDEhood):** 34,3

**Fluid Dynamic Efficiency class:** A

**Light Efficiency (Lehood) lux/Watt:** 55,7

**Lighting Efficiency class:** A

**Grease Filtering Efficiency class:** A

**Air flow (Qmin) m<sup>3</sup>/h:** 352

**Air flow (Qmax):** 651

**Air flow (Qboost):** 760  
**Noise (LwA) min. speed (dB):** 54  
**Noise (LwA) max. speed (dB):** 68  
**Noise (LwA) boost speed (dB):** 72  
**Off mode Power (Po) W:** 0,32  
**Energy Efficiency Index (EEI):** 47,2  
**Time increase factor:** 0,8  
**Air pressure at best efficiency point(Pbep) Pa:** 417  
**Electric power input at best efficiency point (Wbep) W:** 123,0  
**Nominal power of the lighting system (WL) W:** 7  
**Average illumination of the lighting system on the cooking surface (Emiddle) Lux:** 390

## ACCESSORIES

**Anti Return valve:** Yes  
**Outlet reduction:** Yes  
**Optional Charcoal Filter:** D4C  
**Charcoal filter description:** CHARCOAL FILTER D4C

## MODELS

**Number of filters:** 3  
**Filter description:** Stainless Steel filters MMX  
**Control panel:** Touch Control (Glass Front) white display  
**Stop delay timer:** Yes  
**Filter saturation indicator:** Yes  
**Time clock:** Yes  
**Number of speeds:** 3+1

## PRODUCT INFORMATION SHEET - DELEGATED REGULATION (EU) 65/2014

**Supplier name or trademark:** TEKA  
**Model identifier:** PERFECTA4 DLH 985 T  
**Annual Energy Consumption:** 41,0  
**Energy Efficiency Class:** A  
**Fluid Dynamic Efficiency:** 34,3  
**Fluid Dynamic Efficiency class:** A  
**Lighting Efficiency:** 55,7  
**Lighting Efficiency class:** A  
**Grease Filtering Efficiency class:** A  
**Air flow (min speed normal use):** 352  
**Air flow (max speed normal use):** 651  
**Air flow (intensive or boost use):** 760  
**Airborne acoustical A-weighted sound power emissions (min speed normal use):** 54  
**Airborne acoustical A-weighted sound power emissions (max speed normal use):** 68  
**Airborne acoustical A-weighted sound power emissions (intensive or boost use):** 72  
**Power consumption in off mode (W):** 0,32  
**Power consumption in standby mode (W):** n.a



# 90cm Decorative Hood with Touch Control Display and ECOPOWER A4 motor

## ENERGY LABEL

