



GFH 55 55cm Built-in Hood with push buttons control panel and 2 aluminum filters



LED lighting

DESCRIPTION

55cm Built-in Hood with push buttons control panel and 2 aluminum filters

LIFE STYLE

Easy

COLOURS



REFERENCE

REF. 40446700
EAN. 8421152036396

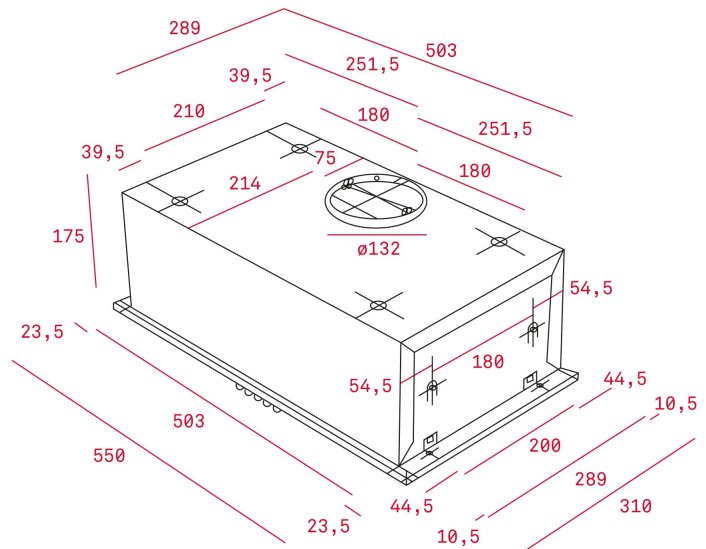


TEKA

GFH 55

FEATURES

Filter group
Push buttons control panel
Operating pilot light
Conventional aspiration
3 speeds
Exhaust capacities:
Free Outlet (m³/h): 367
Max. (m³/h): 329
Min. (m³/h): 223
Noise (LwA) Max Speed 69 dB
Noise (LwA) Min Speed 62 dB
Integrated halogen lamps
2 aluminium filters



DIMENSIONS

Product height (mm): 175
Product width (mm): 550
Product depth (mm): 310
Product length (mm):
Net weight (Kg): 5

TECH SPECS

PARTICULAR CHARACTERISTICS

Certificates: CE, CB, Rohs
Ø Outlet (mm): 120
Type of inner light: LED
Inside light Consumption (W): 1,5
Plug type: European plug
Cable Connection Length (cm): 150
Power rate (V): 230
Frequency (Hz): 50
Total hood power (W): 134
Number of motors: 1
Motor power (W): 130

**EU REGULATION NO. 65/2014
 &66/2104**

Annual energy consumption AEC kWh/annum (kWh): 77,6
Energy Efficiency Class: D
Fluid Dynamic Efficiency (FDEhood): 10,1
Fluid Dynamic Efficiency class: E
Light Efficiency (Lehood) lux/Watt: 33,8
Lighting Efficiency class: A
Grease Filtering Efficiency class: C
Air flow (Qmin) m3/h: 156

Air flow (Qmax): 315
Noise (LwA) min. speed (dB): 53
Noise (LwA) max. speed (dB): 67
Energy Efficiency Index (EEI): 88,2
Time increase factor: 1,6
Air pressure at best efficiency point(Pbep) Pa: 250
Electric power input at best efficiency point (Wbep) W: 129,1
Nominal power of the lighting system (WL) W: 3
Average illumination of the lighting system on the cooking surface (Emiddle) Lux: 135

ACCESSORIES

Anti Return valve: Yes
Outlet extension: no
Optional Charcoal Filter: CNL 1C

MODELS

Number of filters: 2
Filter description: Aluminium
Control panel: Mechanical push buttons
Number of speeds: 3

PRODUCT INFORMATION SHEET - DELEGATED REGULATION (EU) 65/2014

Supplier name or trademark: TEKA
Model identifier: GFH 55
Annual Energy Consumption: 77,6
Energy Efficiency Class: D
Fluid Dynamic Efficiency: 10,1
Fluid Dynamic Efficiency class: E
Lighting Efficiency: 33,8
Lighting Efficiency class: A
Grease Filtering Efficiency class: C
Air flow (min speed normal use): 156
Air flow (max speed normal use): 315
Air flow (intensive or boost use): N/A
Airborne acoustical A-weighted sound power emissions (min speed normal use): 53
Airborne acoustical A-weighted sound power emissions (max speed normal use): 67
Power consumption in off mode (W): N/A
Power consumption in standby mode (W): N/A



GFH 55

ENERGY LABEL

