



TL 9310 90cm Pull-out Hood with doble motor turbine and 2 speeds



LED lighting

DESCRIPTION

90cm Pull-out Hood with doble motor turbine and 2 speeds

LIFE STYLE

Easy

COLOURS

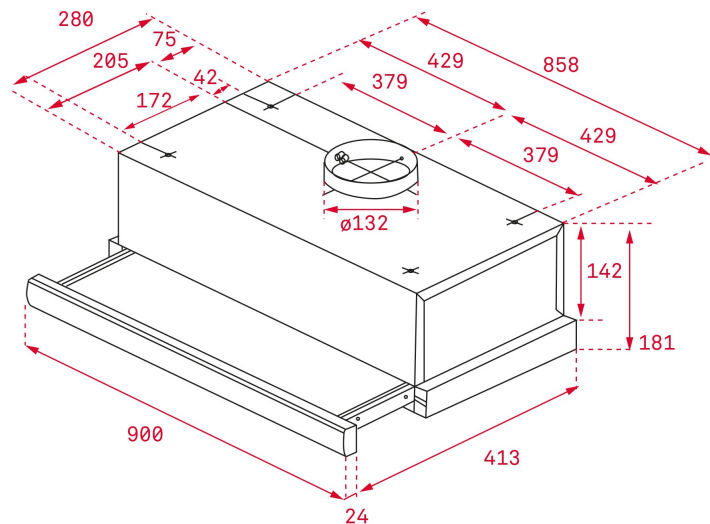


REFERENCE

REF. 40474390
EAN. 8421152146002

FEATURES

Pull-out hood
Mechanical control panel
2 speeds
Exhaust capacities:
Free Outlet, m³/h: 366
Max., m³/h: 332
Min., m³/h: 233
Noise (LwA) Max Speed, dB: 65
Noise (LwA) Min Speed, dB: 56
2 Integrated LED lamps
4 aluminium filters
Automatic Lighting
Exchangeable Front Panel



DIMENSIONS

Product height (mm): 181
Product width (mm): 900
Product depth (mm): 304-437
Product length (mm):
Net weight (Kg): 9,1

TECH SPECS

PARTICULAR CHARACTERISTICS

Certificates: CE; CB; Rohs
Ø Outlet (mm): 120
Type of inner light: LED
Inside light Consumption (W): 6
Plug type: European plug
Power rate (V): 230
Frequency (Hz): 50
Total hood power (W): 146
Number of motors: 2
Motor power (W): 130

**EU REGULATION NO. 65/2014
&66/2104**

Annual energy consumption AEC kWh/annum (kWh): 78,1
Energy Efficiency Class: D
Fluid Dynamic Efficiency (FDEhood): 9,3
Fluid Dynamic Efficiency class: E
Light Efficiency (Lehood) lux/Watt: 9
Lighting Efficiency class: F
Grease Filtering Efficiency class: D
Air flow (Qmin) m3/h: 160
Air flow (Qmax): 304

Noise (LwA) min. speed (dB): 49
Noise (LwA) max. speed (dB): 65
Energy Efficiency Index (EEI): 93,8
Time increase factor: 1,7
Air pressure at best efficiency point(Pbep) Pa: 243
Electric power input at best efficiency point (Wbep) W: 111,7
Nominal power of the lighting system (WL) W: 12
Average illumination of the lighting system on the cooking surface (Emiddle) Lux: 94

ACCESSORIES

Anti Return valve: Yes
Outlet extension: no
Optional Charcoal Filter: CNL 1C

MODELS

Number of filters: 2
Filter description: Aluminium
Control panel: Mechanical control
Automatic lighting: Yes
Number of speeds: 2

PRODUCT INFORMATION SHEET - DELEGATED REGULATION (EU) 65/2014

Supplier name or trademark: TEKA
Model identifier: TL 9310
Annual Energy Consumption: 78,1
Energy Efficiency Class: D
Fluid Dynamic Efficiency: 9,3
Fluid Dynamic Efficiency class: E
Lighting Efficiency: 9
Lighting Efficiency class: F
Grease Filtering Efficiency class: D
Air flow (min speed normal use): 160
Air flow (max speed normal use): 304
Air flow (intensive or boost use): N/A
Airborne acoustical A-weighted sound power emissions (min speed normal use): 49
Power consumption in off mode (W): N/A
Power consumption in standby mode (W): N/A



TL 9310

ENERGY LABEL

