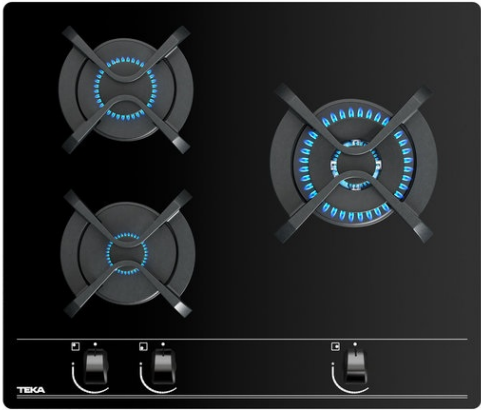




**GBC 63010** 60cm Gas on Glass Hob with frontal ergonomic knobs of natural gas



Integrated auto-ignition system



Autolock



Easy installation system

**DESCRIPTION**

60cm Gas on Glass Hob with frontal ergonomic knobs of natural gas

**LIFE STYLE**

Easy

**COLOURS**



**REFERENCE**

REF. 112580002  
EAN. 8434778002966



**TEKA**

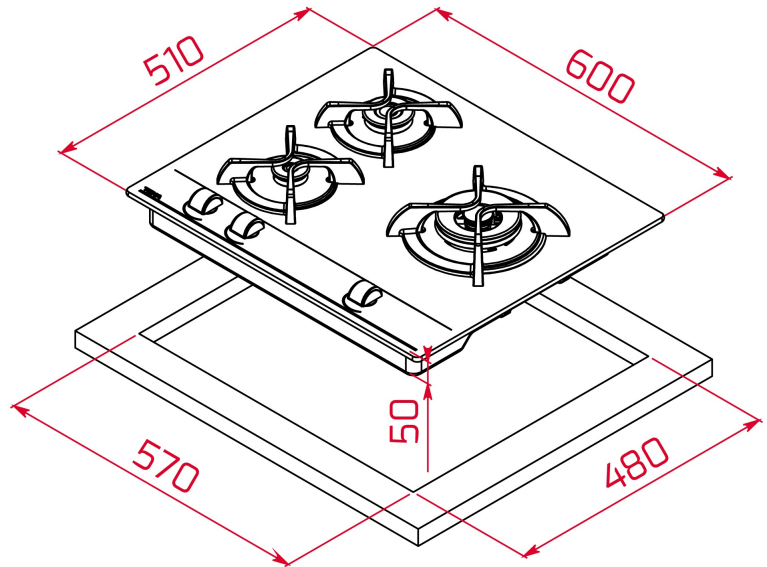
**GBC 63010**

**FEATURES**

Gas on Glass Hob  
Front control knobs with ergonomic design  
Tempered Glass  
3 gas burners  
1 double ring burner, 3,50 kW  
1 semi-fast burner, 1,75 kW  
1 auxiliary burner, 1,00 kW  
Auto-lock safety device (Thermocouples)  
Automatic-ignition in every burner, activated through control knobs  
Large cast iron pan supports  
Easy installation kit  
Type of Gas: Natural

**TEKA**

**GBC 63010**



## DIMENSIONS

**Product height (mm):** 110  
**Product width (mm):** 600  
**Product depth (mm):** 510  
**Product length (mm):**  
**Net weight (Kg):** 12,9

## TECH SPECS

### FITTING MEASURES

**Built-in Width (mm):** 570  
**Built-in Depth (mm):** 480  
**Built-in height (mm):** 49

### PARTICULAR CHARACTERISTICS

**Gas type:** Natural  
**Maximum nominal power (W) (Gas):** 6250  
**Autoignition:** Yes  
**Number of electric power levels:** 3

### ELECTRIC CONNECTION

**Frequency (Hz):** 50/60  
**Power rate (V):** 220-240  
**Cable Connection Length (cm):** 100  
**Maximum Nominal Power (W) (Electric hob):** 1100

### COOKING ZONES

**Cooking Zones:** 3

**SECURITY SYSTEM**

**Automatic safety disconnection (Auto Lock) (Gas):** Yes  
**Automatic safety disconnection (Auto Lock) (Electric hob):** Yes

**FINISH**

**Surface finishing:** C-edged glass  
**Surface type:** Tempered Glass  
**Easy installation system:** Yes

**ACCESSORIES**

**Grid type:** Individual  
**Wok support:** Optional  
**Junction Kit:** NO  
**Cast Iron Grids:** Yes  
**Teppan Yaki:** NO

