



MC 10 Plus (502) Monomando alto cromo



Swivel spout



Anti-scale aerator

DESCRIPTION

Monomando alto cromo

LIFE STYLE

Maestro

COLOURS



REFERENCE

REF. 97911502
EAN. 8413509176015



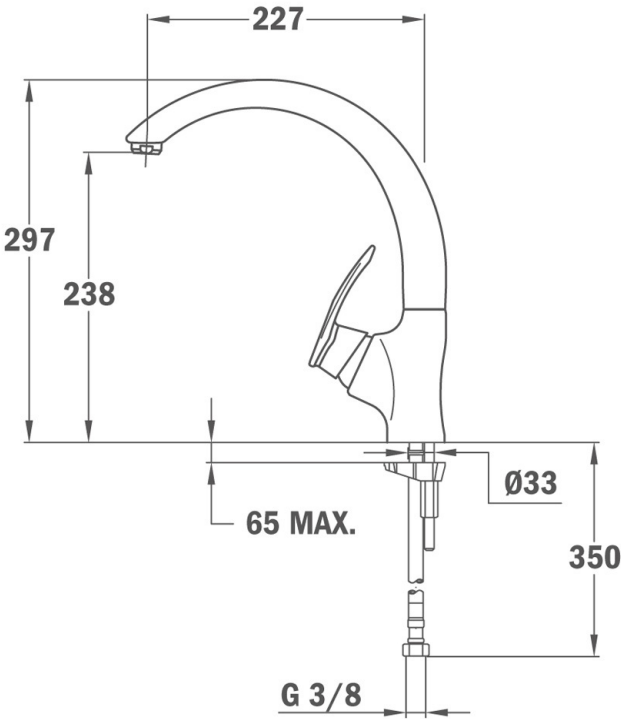
MC 10 Plus (502)

FEATURES

Acabado: Cromo
Sistema anticalcáreo
Medidas: 200 x 200 mm



MC 10 Plus (502)



DIMENSIONS

- Product height (mm): 297
- Product width (mm):
- Product depth (mm):
- Product length (mm):
- Net weight (Kg): 2,55

TECH SPECS

MODELS

Type of installation: Free standing

