



HLB 850 Multifunction SurroundTemp A+ oven with 9 cooking functions



70L capacity



Plus extension telescopic guide



HydroClean



SoftClose



SurroundTemp, extra rear resistance for a uniform cooking

DESCRIPTION

Multifunction SurroundTemp A+ oven with 9 cooking functions

LIFE STYLE

Maestro

COLOURS

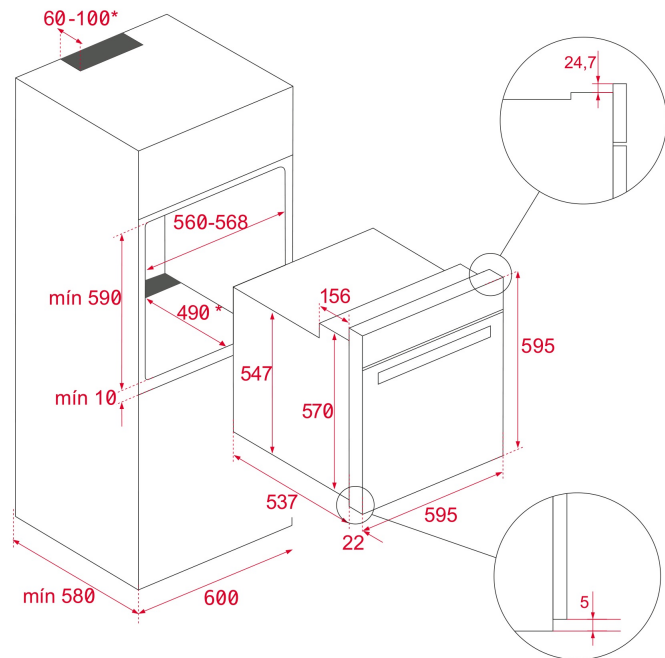


REFERENCE

REF. 41560291
EAN. 8421152154533

FEATURES

Multifunction SurroundTemp - 9 Cooking functions
Teka HydroClean®PRO cleaning system
A+ Energy class: up to 20% less consumption
Capacity, gross/net: 71/70 litres
Touch Control with electronic timer
Quick heating
Children safety block
Automatic disconnection security system
Triple glazed door
SoftClose system
1 Plus-Extension telescopic guide, 5 cooking levels
Anti deep tray and reinforced grid
Dynamic ventilation



DIMENSIONS

Product height (mm): 595

Product width (mm): 595

Product depth (mm): 537+22

Product length (mm):

Net weight (Kg): 28

TECH SPECS

PARTICULAR CHARACTERISTICS

Certificates: N / CE / CCA / CB / JAS-ANZ

Number of cavities: 1

Type of inner light: Halogen

Inside light position: RIGHT TOP CORNER

Enamelled cavity: Yes

Function selector: 11+0

Number of cooking functions: 9

Grill function: Yes

MaxiGrill function: Yes

Bottom function: Yes

Turbo function: Yes

ECO function: Yes

Mechanical quick heating: Yes

Touch Control Programmer: Yes

Knobs type: MMX FIX knurling printed

Removable chromed tray guides: Yes

Number of guide levels: 5

Easy slide telescopic guides: Yes

Drop-down grill: Yes

SoftClose: Yes

ELECTRIC CONNECTION

Maximum Nominal Power (W): 3215
Frequency (Hz): 50/60
Power rate (V): 220-240
Cable Connection Length (cm): 110
Inside light Consumption (W): 25

ENERGY CONSUMPTION

Energy consumption per cycle in conventional mode (kWh):
0.81
Energy consumption per cycle in fan-forced convection mode (kWh): 0,68
Bottom Heating Element (W): 1150
Grill (W): 1400
Maxi Grill (W): 2500
Traditional (W): 2550
Turbo (W): 2000
Multifunction Turbo (W): 22
Cooling Fan Motor (W): 18

SECURITY SYSTEM

Panel blocking system: Yes
Grill protection: Yes
Anti-tip tray system: Yes
Safety Thermostat: Yes

CLEANING SYSTEM

Crystal Clean Enamel (Slippery): Yes
Hydroclean PRO: Yes

ACCESSORIES

Baking Tray: 1
Deep Tray (50 mm): 1
Reinforced grid: 1

ENERGY EFFICIENCY

Energy Efficiency Class: A+
Energy Efficiency Index (EEI): 81

**PRODUCT INFORMATION
SHEET - DELEGATED
REGULATION (EU) 65/2014**

Supplier name or trademark: TEKA
Model identifier: HLB 850
Number of cavities: 1

Cavity 1

Energy Efficiency Index: 81
Energy Efficiency Class: A+
Energy consumption per cycle (conventional mode): 0.81
Energy consumption per cycle (fan-forced convection mode):
0,68
Heat source : Electric
Volume: 71



HLB 850

ENERGY LABEL

The energy label for the TEKA HLB 850 is a rectangular sticker with a blue border. At the top left is the European Union flag. To its right, the word "ENERG" is written in large blue letters, with "енергия - енергетика" in smaller text below it. Further right are two circular icons: one with "Y" and "UA" and another with "IE" and "IA". Below this header, the TEKA logo is on the left and the model number "HLB 850" is on the right. The central part of the label features a vertical scale of seven energy efficiency classes, represented by colored arrows pointing to the right: A+++ (dark green), A++ (medium green), A+ (light green), A (yellow), B (orange), C (red-orange), and D (red). A black arrow points from the right towards the A+ class. Below the scale, there are two boxes: the left one shows a washing machine icon and "70 L", and the right one shows a cycle icon and "0.87 kWh/cycle*". Below these boxes, there is a smaller cycle icon and "0.68 kWh/cycle*". At the very bottom, there is a line of small text in multiple languages and the date "65/2014".