



**HCB 6435 Multifunction oven (Surround Temp) HydroClean PRO 9**  
cooking functions



HydroClean

**DESCRIPTION**

Multifunction oven (Surround Temp) HydroClean PRO 9 cooking functions

**LIFE STYLE**

Easy

**COLOURS**



**REFERENCE**

REF. 111020013  
EAN. 8434778003192

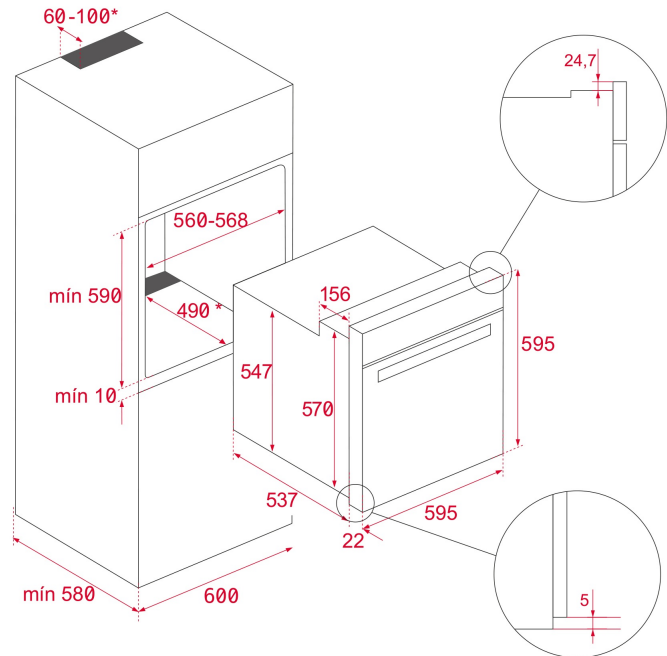


**TEKA**

**HCB 6435**

**FEATURES**

Multifunction oven  
8 Cooking functions  
Automatic HydroClean system  
Touch control display  
Chrome supports with 5 cooking levels  
Embossed cavity  
Double glazed door  
Children safety lock  
Mechanical quick preheating  
Anti-tip baking tray  
Dynamic ventilation  
Gross/net capacity: 70/65 litres



## DIMENSIONS

**Product height (mm):** 595

**Product width (mm):** 595

**Product depth (mm):** 537+22

**Product length (mm):**

**Net weight (Kg):** 27

## TECH SPECS

### PARTICULAR CHARACTERISTICS

**Certificates:** N / CE / CCA / CB

**Number of cavities:** 1

**Type of inner light:** Halogen

**Inside light position:** RIGHT TOP CORNER

**Enamelled cavity:** Yes

**Min. Temperature Regulator (°C):** 50

**Max. Temperature Regulator (°C):** 250

**Function selector:** 10+0

**Number of cooking functions:** 8

**Top + Bottom function:** Yes

**Grill function:** Yes

**MaxiGrill function:** Yes

**Top + Bottom + Fan function:** Yes

**MaxiGrill + Fan function:** Yes

**Bottom function:** Yes

**ECO function:** Yes

**Mechanical quick heating:** Yes

**Touch Control Programmer:** Yes

**Knobs type:** POP IN-OUT

**Number of guide levels:** 5

**ELECTRIC CONNECTION**

**Maximum Nominal Power (W):** 2615  
**Frequency (Hz):** 50/60  
**Power rate (V):** 220-240  
**Cable Connection Length (cm):** 110  
**Inside light Consumption (W):** 25

**ENERGY CONSUMPTION**

**Energy consumption per cycle in conventional mode (kWh):**  
0.86  
**Energy consumption per cycle in fan-forced convection mode (kWh):** 0,68  
**Bottom Heating Element (W):** 1150  
**Grill (W):** 1400  
**Maxi Grill (W):** 2500  
**Traditional (W):** 2550  
**Multifunction Turbo (W):** 22  
**Cooling Fan Motor (W):** 18

**SECURITY SYSTEM**

**Panel blocking system:** Yes  
**Grill protection:** Yes  
**Anti-tip tray system:** Yes  
**Safety Thermostat:** Yes

**CLEANING SYSTEM**

**Fingerprint proof stainless steel:** Yes  
**Crystal Clean Enamel (Slippery):** Yes  
**Hydroclean PRO:** Yes

**ACCESSORIES**

**Baking Tray:** 1

**ENERGY EFFICIENCY**

**Energy Efficiency Class:** A+  
**Energy Efficiency Index (EEI):** 81



TEKA HCB 6435

ENERGY LABEL

The energy label for the TEKA HCB 6435 dishwasher features the following information:

- Header:** Includes the European Union flag, the word "ENERG" in large letters, and "енергия · ενεργεια" in smaller text below it. To the right are four circular icons labeled Y, UA, IE, and IA.
- Brand and Model:** The TEKA logo is on the left, and the model number "HCB 6435" is on the right.
- Energy Efficiency Scale:** A vertical bar on the left shows efficiency levels from A+++ (green) to D (red). A black arrow on the right points to the A+ level.
- Capacity:** A box on the left shows a dishwasher icon and "65 L".
- Energy Consumption:** A box on the right shows a dishwasher icon and "0.80 kWh/cycle\*", and a fan icon with "0.67 kWh/cycle\*".
- Footnote:** A line of small text at the bottom provides translations for "cycle" in various languages: "\* unesat - cyclus - portion - zykus - nřlõpõõõõõõ - ciclo - tsõõõõõõ - ohõõõõõõ - ciklus - cikõõ - õõõõõõ - cyclus - cykl - cikõõ - program - cykel".
- Standard:** The text "65/2014" is located at the bottom left of the label.