



90cm Decorative hood with Touch Control display and ECOPOWER motor
90cm Decorative hood with Touch Control display and ECOPOWER motor



LED lighting



Rim extraction



Stop delay timer

DESCRIPTION

90cm Decorative hood with Touch Control display and ECOPOWER motor

LIFE STYLE

Maestro

COLOURS



REFERENCE

REF. 40483131
EAN. 8421152157497



TEKA

90cm Decorative hood with Touch Control display and ECOPOWER motor

FEATURES

Decorative hood
Rim extraction
EcoPower motor
Touch control white display
Energy Efficiency class: A+
3 speeds+ 1 intensive
Exhaust capacities: Free Outlet, m³/h: 920
LED Bar illumination
Inox panel
3 aluminium filters
Reinforced black glass
Stop delay timer
Filter saturation indicator

TEKA

90cm Decorative hood with Touch Control display and ECOPOWER motor

DIMENSIONS

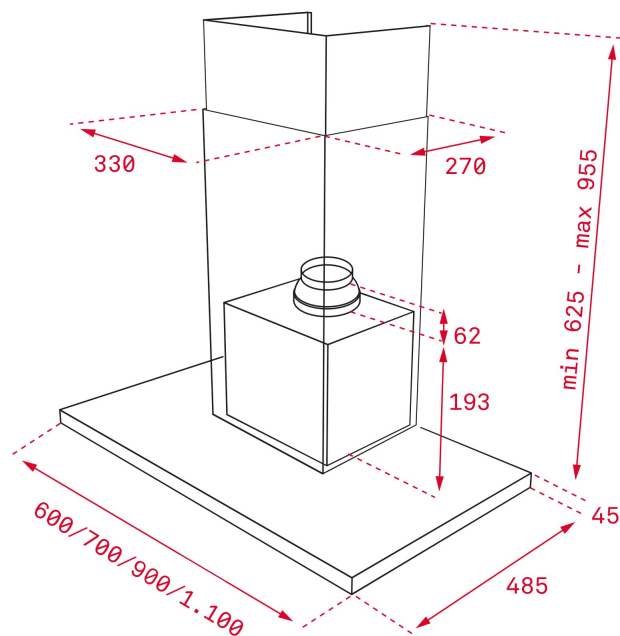
Product height (mm): 690-1010

Product width (mm): 900

Product depth (mm): 480

Product length (mm):

Net weight (Kg): 15,33



TECH SPECS

PARTICULAR CHARACTERISTICS

Certificates: CE; CB; Rohs

Ø Outlet (mm): 150

Type of inner light: LED

Inside light Consumption (W): 6

Plug type: Schuko plug

Power rate (V): 220/240

Frequency (Hz): 50

Total hood power (W): 271

Number of motors: 1

Motor power (W): 265

EU REGULATION NO. 65/2014 & 66/2104

Annual energy consumption AEC kWh/annum (kWh): 42,2

Energy Efficiency Class: A+

Fluid Dynamic Efficiency (FDEhood): 35,1

Fluid Dynamic Efficiency class: A

Light Efficiency (Lehood) lux/Watt: 56,7

Lighting Efficiency class: A

Grease Filtering Efficiency class: C

Air flow (Qmin) m³/h: 320

Air flow (Qmax): 589

Air flow (Qboost): 722
Noise (LwA) min. speed (dB): 54
Noise (LwA) max. speed (dB): 67
Noise (LwA) boost speed (dB): 69
Off mode Power (Po) W: 0,25
Energy Efficiency Index (EEI): 42,2
Time increase factor: 0,7
Air pressure at best efficiency point(Pbep) Pa: 467
Electric power input at best efficiency point (Wbep) W: 148,1
Nominal power of the lighting system (WL) W: 6
Average illumination of the lighting system on the cooking surface (Emiddle) Lux: 340

ACCESSORIES

Anti Return valve: Yes
Outlet reduction: Yes
Optional Charcoal Filter: D4C
Charcoal filter description: CHARCOAL FILTER D4C

MODELS

Number of filters: 3
Filter description: inox panel(glass?); aluminum filters below
Control panel: Touch control Glas front White display
Stop delay timer: Yes
Filter saturation indicator: Yes
Number of speeds: 3+1

PRODUCT INFORMATION SHEET - DELEGATED REGULATION (EU) 65/2014

Supplier name or trademark: TEKA
Model identifier: DPL 986 T
Annual Energy Consumption: 42,2
Energy Efficiency Class: A+
Fluid Dynamic Efficiency: 35,1
Fluid Dynamic Efficiency class: A
Lighting Efficiency: 56,7
Lighting Efficiency class: A
Grease Filtering Efficiency class: C
Air flow (min speed normal use): 320
Air flow (max speed normal use): 589
Air flow (intensive or boost use): 722
Airborne acoustical A-weighted sound power emissions (min speed normal use): 54
Airborne acoustical A-weighted sound power emissions (max speed normal use): 66
Airborne acoustical A-weighted sound power emissions (intensive or boost use): 69
Power consumption in off mode (W): 0,25
Power consumption in standby mode (W): n.a



90cm Decorative hood with Touch Control display and ECOPOWER motor

ENERGY LABEL

