



DLV 985 Urban Colors Edition 90cm Vertical Hood with Contour Rim extraction system and Touch control display



LED lighting



Rim extraction



Stop delay timer

DESCRIPTION

Urban Colors Edition 90cm Vertical Hood with Contour Rim extraction system and Touch control display

LIFE STYLE

Maestro

COLOURS



REFERENCE

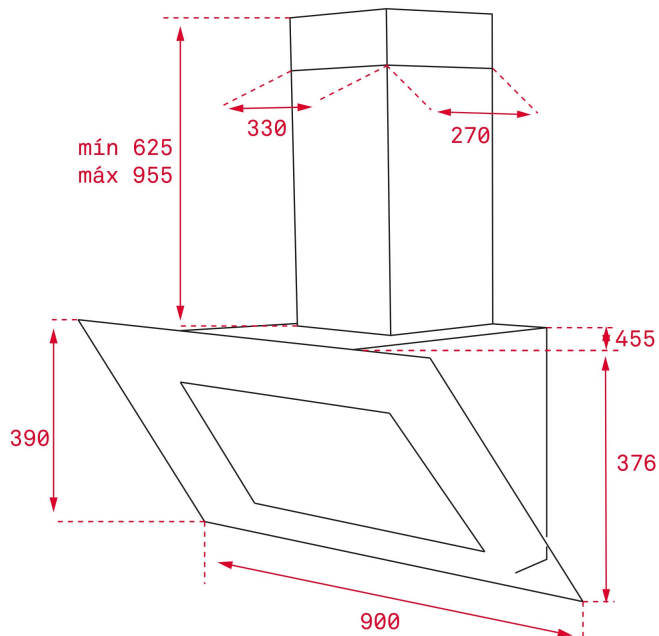
REF. 112930006
EAN. 8434778009156

FEATURES

Urban Colors Edition
Quadro vertical hood
Double turbine motor ECOPOWER
Extraction rim system "Contour"
Digital control Touch Control with white display
3 speeds + Intensive
Saturation filters lighting indicator
Exhaust capacity (*): min.325 m³/h - max.782 m³/h
Sound level (*): min.54 dBA - máx.65 dBA
LED light bar
Stop delay timer
Recirculation function optional (SET D10CTP)

DIMENSIONS

Product height (mm): 800-1200
Product width (mm): 900
Product depth (mm): 450
Product length (mm):
Net weight (Kg): 20,27



TECH SPECS

PARTICULAR CHARACTERISTICS

Certificates: CE; CB; Rohs
Ø Outlet (mm): 150
Type of inner light: LED
Inside light Consumption (W): 7
Plug type: Schuko plug
Power rate (V): 230
Frequency (Hz): 50
Total hood power (W): 287
Number of motors: 1
Motor power (W): 280

ACCESSORIES

Anti Return valve: Yes
Outlet reduction: Yes
Optional Charcoal Filter: D4C
Conventional recirculation kit (opt) - w/tube cover: SET 1/N1

MODELS

Number of filters: 1
Filter description: Glass panel; aluminum filter below
Control panel: Touch control

Stop delay timer: Yes
Filter saturation indicator: Yes
Time clock: Yes
Number of speeds: 3+1



DLV 985

ENERGY LABEL

The image shows a standard European Energy Label for a Teka DLV 985 unit. At the top left is the European Union flag. To its right is the word "ENERG" in large blue letters, with "енергия · енергiя" in smaller text below it. Further right are two circular icons: one with "Y" and "JA" and another with "IE" and "IA". Below this header, the brand name "Teka" is on the left and the model "DLV 985" is on the right. A vertical scale of energy efficiency classes is shown on the left, ranging from A+ (green) at the top to F (red) at the bottom. A black arrow points to the 'A' class. To the right of the scale, a white box contains the number "68" and "kWh/annum" below it. Below the scale are four icons in boxes: a fan, a lightbulb, water droplets, and a speaker. Each icon has a scale below it labeled "A B C D E F", "A B C D E F", "A B C D E F", and "68 dB" respectively. At the bottom left of the label is the text "65/2014" and at the bottom right is "1130175-1".