



HLB 8600 A+ Multifunction Oven with 20 recipes



70L capacity



Plus extension telescopic guide



HydroClean



SoftClose



SurroundTemp, extra rear resistance for a uniform cooking



A+ Energy Class

DESCRIPTION

A+ Multifunction Oven with 20 recipes

LIFE STYLE

Maestro

COLOURS



REFERENCE

REF. 111000012
EAN. 8434778008289

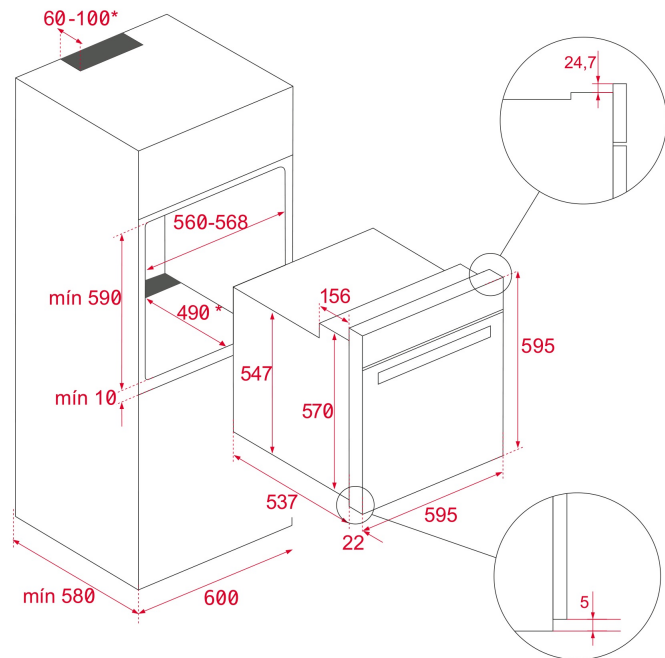


TEKA

HLB 8600

FEATURES

Urban Colors Edition
Multifunction SurroundTemp - 12 Cooking functions
Teka HydroClean®PRO cleaning system
A+ Energy class: up to 20% less consumption
Capacity, gross/net: 71/70 litres
True colour TFT 4 display with digital timer
Personal cooking assistant (20 recipes)
SlowCook function: low temperature cooking
Automatic temperature and time suggestion for each function
Quick heating
Children safety block
Automatic disconnection security system
Triple glazed door
SoftClose system
1 Plus-Extension telescopic guide, 5 cooking levels
Deep enamelled tray and reinforced grid
Tangential ventilation



DIMENSIONS

Product height (mm): 595

Product width (mm): 595

Product depth (mm): 537+22

Product length (mm):

Net weight (Kg): 32

TECH SPECS

PARTICULAR CHARACTERISTICS

Certificates: N / CE / CCA / CB/GMARK/ JAS-ANZ/SASO

Number of cavities: 1

Type of inner light: Halogen

Inside light position: RIGHT TOP CORNER

Enamelled cavity: Yes

Function selector: ELECTRONIC

Number of cooking functions: 12

Number of recipes: 20

Grill function: Yes

MaxiGrill function: Yes

Bottom function: Yes

Turbo function: Yes

ECO function: Yes

Ferment function: Yes

Automatic quick heating: Yes

Slow Cook: Yes

Knobs type: MMX FIX ROTATIVE

Removable chromed tray guides: Yes

Number of guide levels: 5

Easy slide telescopic guides: Yes

Drop-down grill: Yes

Forced refrigeration tangential 1 speed: Yes

ELECTRIC CONNECTION

SoftClose: Yes

Maximum Nominal Power (W): 3215

Frequency (Hz): 50/60

Power rate (V): 220-240

Cable Connection Length (cm): 150

Plug: Yes

Inside light Consumption (W): 25

ENERGY CONSUMPTION

Energy consumption per cycle in conventional mode (kWh):
0.83

Energy consumption per cycle in fan-forced convection mode (kWh): 0,68

Bottom Heating Element (W): 1150

Grill (W): 1400

Maxi Grill (W): 2500

Traditional (W): 2550

Turbo (W): 2000

Multifunction Turbo (W): 22

Cooling Fan Motor (W): 18

SECURITY SYSTEM

Automatic disconnection when opening the door: Yes

Panel blocking system: Yes

Children safety block option: Yes

Grill protection: Yes

Anti-tip tray system: Yes

Safety Thermostat: Yes

Full glazed doors: 3

CLEANING SYSTEM

Crystal Clean Enamel (Slippery): Yes

Hydroclean PRO: Yes

ACCESSORIES

Deep Tray (50 mm): Yes

Steak tray: 0

Reinforced grid: Yes

ENERGY EFFICIENCY

Energy Efficiency Class: A+

Energy Efficiency Index (EEI): 81



HLB 8600

ENERGY LABEL

The energy label for the TEKA HLB 8600 features the following elements:

- Top left: European Union flag and the word "ENERG" in large letters, with "енергия · ενεργεια" below it. To the right are four small circles containing the letters Y, IA, IE, and IA.
- Top center: The TEKA logo and the model number "HLB 8600".
- Energy scale: A vertical bar with seven horizontal arrows pointing right, labeled from top to bottom: A+++ (green), A++ (light green), A+ (yellow-green), A (yellow), B (orange), C (red-orange), and D (red). A black arrow points to the A+ level.
- Capacity: An icon of a dishwasher with "70L" written below it.
- Energy consumption: Two icons of a dishwasher. The top one is labeled "0.83 kWh/cycle*" and the bottom one is labeled "0.68 kWh/cycle*".
- Footnote: A small line of text at the bottom: "* Unesa - cyklus - porton - zylak - praprazna - dda - tsakle - chelime cikla - cikla - cikla - cikla - cyklus - cykl - cikl - program - cikl".
- Bottom left: The date "65/2014".