



# 90cm Pull-out Hood with doble motor turbine and 2 speeds

90cm Pull-out Hood with doble motor turbine and 2 speeds



LED lighting

**DESCRIPTION**

90cm Pull-out Hood with doble motor turbine and 2 speeds

**LIFE STYLE**

Easy

**COLOURS**

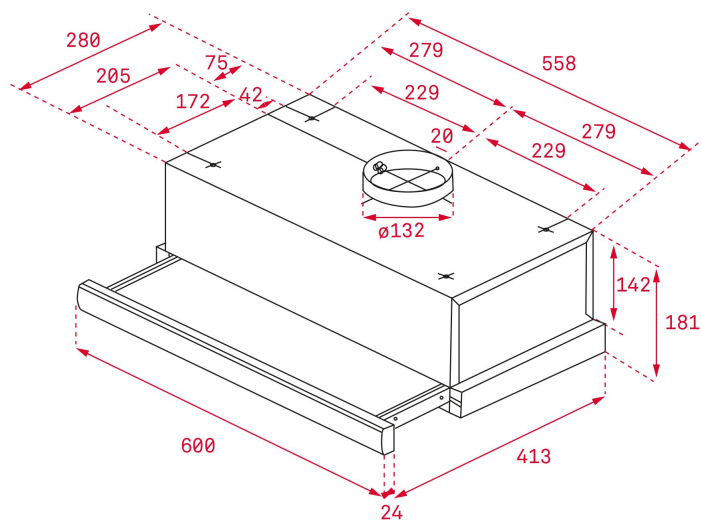


**REFERENCE**

REF. 40474250  
EAN. 8421152145975

**FEATURES**

Pull-out hood  
Mechanical control panel  
2 speeds  
Exhaust capacities:  
Free Outlet, m<sup>3</sup>/h: 366  
Max., m<sup>3</sup>/h: 332  
Min., m<sup>3</sup>/h: 233  
Noise (LwA) Max Speed, dB: 65  
Noise (LwA) Min Speed, dB: 56  
2 Integrated LED lamps  
4 aluminium filters  
Automatic Lighting  
Exchangeable Front Panel



## DIMENSIONS

**Product height (mm):** 184

**Product width (mm):** 600

**Product depth (mm):** 280/413

**Product length (mm):**

**Net weight (Kg):** 6,32

## TECH SPECS

### PARTICULAR CHARACTERISITICS

**Certificates:** CE; CB; Rohs  
**Ø Outlet (mm):** 120  
**Type of inner light:** LED  
**Inside light Consumption (W):** 6  
**Plug type:** European plug  
**Power rate (V):** 220240  
**Frequency (Hz):** 5060  
**Total hood power (W):** 142  
**Number of motors:** 1  
**Motor power (W):** 130

**EU REGULATION NO. 65/2014  
&66/2104**

**Annual energy consumption AEC kWh/annum (kWh):** 71,2  
**Energy Efficiency Class:** D  
**Fluid Dynamic Efficiency (FDEhood):** 10,9  
**Fluid Dynamic Efficiency class:** E  
**Light Efficiency (Lehood) lux/Watt:** 4,9  
**Lighting Efficiency class:** F  
**Grease Filtering Efficiency class:** D  
**Air flow (Qmin) m3/h:** 239  
**Air flow (Qmax):** 339

**Noise (LwA) min. speed (dB):** 56  
**Noise (LwA) max. speed (dB):** 65  
**Energy Efficiency Index (EEI):** 88,1  
**Time increase factor:** 1,6  
**Air pressure at best efficiency point(Pbep) Pa:** 187  
**Electric power input at best efficiency point (Wbep) W:** 107,0  
**Nominal power of the lighting system (WL) W:** 12  
**Average illumination of the lighting system on the cooking surface (Emiddle) Lux:** 59

## ACCESSORIES

**Anti Return valve:** Yes  
**Outlet extension:** yes  
**Optional Charcoal Filter:** CNL 1C  
**Charcoal filter code:** 61801346  
**Charcoal filter EAN code:** 8421152149607

## MODELS

**Number of filters:** 2  
**Filter description:** Aluminum  
**Control panel:** Mechanical  
**Number of speeds:** 2

## PRODUCT INFORMATION SHEET - DELEGATED REGULATION (EU) 65/2014

**Supplier name or trademark:** TEKA  
**Model identifier:** TL 6310  
**Annual Energy Consumption:** 71,2  
**Energy Efficiency Class:** D  
**Fluid Dynamic Efficiency:** 10,9  
**Fluid Dynamic Efficiency class:** E  
**Lighting Efficiency:** 4,9  
**Lighting Efficiency class:** F  
**Grease Filtering Efficiency class:** D  
**Air flow (min speed normal use):** 239  
**Air flow (max speed normal use):** 339  
**Air flow (intensive or boost use):** n.a  
**Airborne acoustical A-weighted sound power emissions (min speed normal use):** 56  
**Power consumption in off mode (W):** n.a  
**Power consumption in standby mode (W):** n.a



# 90cm Pull-out Hood with doble motor turbine and 2 speeds

## ENERGY LABEL

