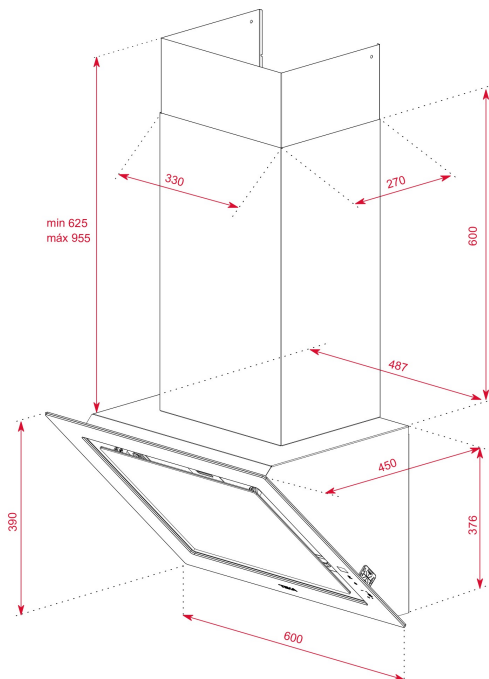




LED

Perimeter
extractionStop Delay
Timer

Fresh AIR



REFERENCE

REF: 112930024

EAN: 8434778011883

FEATURES

Urban Colors Edition

Decorative vertical hood

Touch control with display

FreshAir function

3 speeds + 1 intensive

Intensive speed exhaust capacity (dBA): 725

Max speed exhaust capacity (m3/h): 410

Min speed exhaust capacity (m3/h): 232

Intensive speed sound level (dBA): 70,9

Max speed sound level (dBA): 64,6

Min speed sound level (dBA): 49,4

1 LED lamp

1 Aluminum filter

Stop delay timer

Filter saturation indicator

Anti-return valve included

Outlet reduction included

Optional recirculation kit with tube cover installation: CFH 15200 L3C

Optional regenerative recirculation kit with tube cover installation: RFH 15200 L3C

Optional recirculation kit without tube cover installation: CFH 15200 O2C

Optional Charcoal Filter: C1RTK

Optional Regenerative filter: R1RTK

DIMENSIONS

Product height (mm): 1001-1331**Product width (mm):** 600**Product depth (mm):** 450**Product length (mm):****Net weight (Kg):** 12,8

TECHNICAL DETAILS

Energy Efficiency Class: A+

Noise (LwA) Min Speed (dB): 49

Noise (LwA) Max Speed (dB): 65

Noise (LwA) Boost Speed (dB): 71

Ø Outlet (mm): 150

COLOURS



112930024

Black



112930025

Stone grey



112930025

Steam grey



112930025

London brick brown

