

TEKA**ML 8220 BIS L FBK**

FullBlack Edition. Built-in microwave with ceramic base and grill function



Defrost By Time



Defrost By Weight



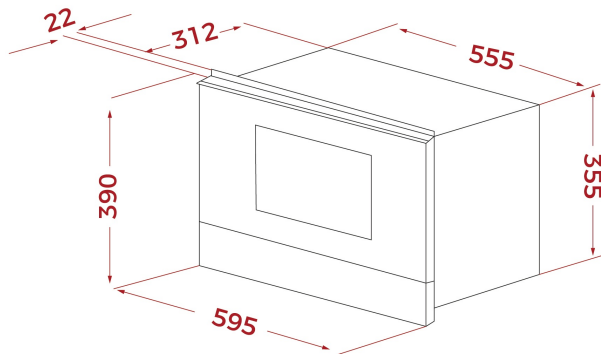
Direct Access Menu



Electronic Door Opening



22L

**REFERENCE**

REF: 112030017

EAN: 8434778030075

FEATURES

Built-in Microwave + Grill
 Exclusive black glass + dark inox finishing
 Ceramic base with uniform heating
 3 cooking functions
 9 direct access menus
 5 power levels, 2700 W
 Grill power: 1200 W
 Defrost by time and weight
 Touch control display with knobs
 Double glazed door with left opening
 Electronic door opening
 Automatic disconnection when open door
 LED inner light
 Dropdown grill
 Quick start
 Stainless steel cavity
 Crunch plate included
 Tangential ventilation
 Capacity (gross/net): 22 / 21,56 litres

DIMENSIONS**Product height (mm):** 390**Product width (mm):** 595**Product depth (mm):** 334**Product length (mm):** 555**Net weight (Kg):** 23,2**TECHNICAL DETAILS**

MWO Power (W): 850

Frequency (Hz): 50

Maximum Nominal Power (W): 2700

Grill (W): 1200

COLOURS

112030017

Black glass