

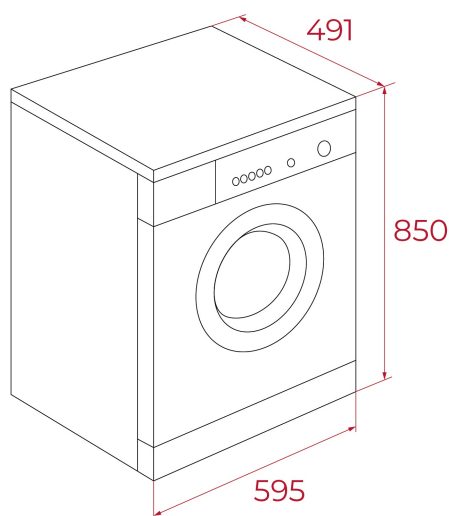
TEKA

## WMK 40840 SS

Washing machine with 8 kg capacity and 15 programs



Quick  
Cycle



## REFERENCE

REF: 113910019

EAN: 8434778032628

## FEATURES

Free standing  
Electronic control panel  
Washing capacity: 8 kg  
15 washing programs  
Special programs: Fast: 15 minutes, ECO mode, Wool, Delicate, Sport, Cotton, BabyCare, Jeans  
Special functions: Delay timer, Speed wash, Steam, Extra rinse, Prewash, DrumClean reminder, Mute  
Maximum spinning speed: 1400 RPM  
Automatic water regulation  
Automatic door lock safety system  
Child lock  
Balance control system  
SoftCare drum  
28,8 cm wide porthole door

## DIMENSIONS

**Product height (mm):** 850

**Product width (mm):** 595

**Product depth (mm):** 533

**Product length (mm):**

**Net weight (Kg):** 60

## TECHNICAL DETAILS

Energy efficiency class (UE 2019/2016): A

Washing performance Class: /

Spinning efficiency class: B

Water consumption (litres/year): /

Noise Level (dBA): + 76

Power rate (V): 220-240 V~

Frequency (Hz): 50 Hz

## COLOURS