



# TKD 1280 (EXP) 8kg Washing Machine SPA with Woolmark certification



Woolmark  
Certificate



Hand Wash



Quick Cycle



Washing  
capacity: 8Kg

## DESCRIPTION

8kg Washing Machine SPA with Woolmark certification

## LIFE STYLE

Maestro

## COLOURS

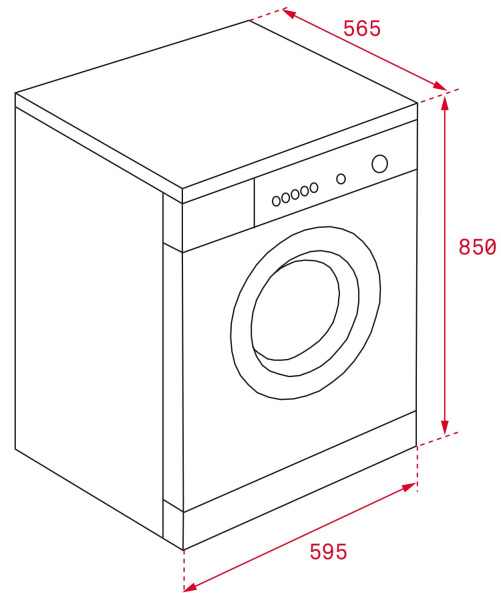


## REFERENCE

REF. 40874422  
EAN. 8421152131909

**FEATURES**

Free standing washing machine  
Washing capacity: 8 Kg  
16 washing programs  
Woolmark® certification  
Maximum spin speed: 1200 r.p.m  
Electronic control panel  
LCD display  
Electronic washing management (Fuzzy Logic)  
Fast program 15 minutes  
My Cycle program  
Special programs: wool, children's clothing and 15'  
Delay timer 1-24h  
Balance control system  
Locking system in case of lack of water or electricity  
Foam control system 32 cm wide porthole  
Function buttons for: on/off, program selector,  
delay programming, temperature, spinning  
exclusion and special functions  
/B

**TEKA****TKD 1280 (EXP)**

## DIMENSIONS

**Product height (mm):** 850  
**Product width (mm):** 595  
**Product depth (mm):** 565  
**Product length (mm):**  
**Net weight (Kg):** 66

## TECH SPECS

### PRODUCT SHEET

**Type of load:** Front  
**Type of installation:** Free standing  
**Washing capacity (Kgs):** 8  
**Energy consumption (kWh/year):** 196  
**Water consumption (litres/year):** 11000  
**Maximum spinning speed (RPM):** 1200  
**Certificates:** CE + Reach + ERP

### POWER SUPPLY

**Frequency (Hz):** 50  
**Power rate (V):** 220-240  
**Maximum Nominal Power (W):** 2000  
**Nominal power motor (W):** 500  
**Power of heating element (W):** 1800

### PARTICULAR CHARACTERISTICS

**Stainless Steel Drum:** Yes  
**Glass door diameter (cms):** 32  
**Number of programs:** 16  
**Number Of Washing Temperatures:** 6  
**Control panel:** ELECTRONIC

## CONTROL INDICATOR LIGHTS

**Electronic washing management:** Yes

**Child lock:** Yes

**Auto lock door:** Yes

**Cancel spin cycle button:** Yes

**Selected program indicator:** Yes

**Remaining time:** Yes

**Extra rinse indicator:** Yes

## SPECIAL FUNCTIONS

**Fast program:** Yes

**Fast program (minutes):** 15

**Economic program:** Yes

**Intense program:** Yes

**Delayed Timer (h):** 1-24

**Extra rinse:** Yes

**Delicate fabrics:** Yes

**Quick Wash:** Yes

## EQUIPMENT

**Adjustable Feet Back:** Yes

**Adjustable feet front:** Yes

## PRODUCT INFORMATION SHEET (UE) 2019/2014

**Supplier's name or trade mark :**

**Supplier's address :**

**Model identifier :**

**General product parameters**

**Rated capacity for the eco 40-60 programme (Kg) :**

**Dimensions (cm)**

**Height :** 85

**Width :** 59,5

**Depth:** 56,5

**Consumption and efficiency**

**Energy Efficiency Index (a):**

**Energy efficiency class (a):**

**Washing efficiency index (a):**

**Rinsing effectiveness (g/kg) (a):**

**Energy consumption in kWh per cycle, based on the eco 40-60 programme. Actual energy consumption will depend on how the appliance is used.:**

**Water consumption in litre per cycle, based on the eco 40-60 programme. Actual water consumption will depend on how the appliance is used and on the hardness of the water.:**

**Maximum temperature inside the treated textile (a) (°C)**

**Rated capacity:**

**Half capacity:**

**Quarter capacity:**

**Remaining moisture content (a) (%)**

**Rated capacity:**

**Half:**

**Quarter:**

**Spin speed (a) (rpm)**

**Rated capacity:**

**Half:**

**Quarter:**  
**Spin-drying efficiency class (a):**

**Eco 40-60 programme duration (a) (h:min)**

**Rated capacity:**

**Half:**

**Quarter:**

**Other**

**Type:**

**Airborne acoustical noise emissions in the spinning phase (a) (dB(A) re 1 pW):**

**Airborne acoustical noise emission class (a) (spinning phase):**

**Off-mode (W):**

**Standby mode (W):**

**Delay start (W) (if applicable):**

**Networked standby (W) (if applicable):**

**Minimum duration of the guarantee offered by the supplier (b):**

**This product has been designed to release silver ions during the washing cycle YES/NO:**

**Additional information:**

Weblink to the supplier's website, where the information in point 9 of Annex II to Commission Regulation (EU) 2019/2023 (1) (b) is found:  
(a) for the eco 40-60 programme.

(b) changes to these items shall not be considered relevant for the purposes of paragraph 4 of Article 4 of Regulation (EU) 2017/1369.

(c) if the product database automatically generates the definitive content of this cell the supplier shall not enter these data.

**TECHNICAL DOCUMENTATION  
(UE) 2019/2014**

**Rated capacity for the eco 40-60 programme, at 0,5 kg intervals (c):**

**Energy consumption of the eco 40-60 programme at rated capacity (EW,full):**

**Energy consumption of the eco 40-60 programme at half rated capacity (EW,1/2):**

**Energy consumption of the eco 40-60 programme at quarter rated capacity (EW,1/4):**

**Weighted energy consumption of the eco 40-60 programme (EW):**

**Standard energy consumption of the eco 40-60 programme (SCEW):**

**Energy Efficiency Index (EEIW):**

**Water consumption of the eco 40-60 programme at rated capacity (WW,full):**

**Water consumption of the eco 40-60 programme at half rated capacity (WW,1/2):**

**Water consumption of the eco 40-60 programme at quarter rated capacity (WW,1/4):**

**Weighted water consumption (WW):**

**Washing efficiency index of the eco 40-60 programme at rated capacity (Iw):**

**Washing efficiency index of the eco 40-60 programme at half rated capacity (Iw):**

**Washing efficiency index of the eco 40-60 programme at quarter rated capacity (Iw):**

**Rinsing effectiveness of the eco 40-60 programme at rated capacity (IR):**

**Rinsing effectiveness of the eco 40-60 programme at half rated capacity (IR):**

**Rinsing effectiveness of the eco 40-60 programme at quarter rated capacity (IR):**

**Programme duration of the eco 40-60 programme at rated**

**capacity (tw):**

**Programme duration of the eco 40-60 programme at half rated capacity (tw):**

**Programme duration of the eco 40-60 programme at quarter rated capacity (tw):**

**Temperature reached for minimum 5 min inside the load during eco 40-60 programme at rated capacity (T):**

**Temperature reached for minimum 5 min inside the load during eco 40-60 programme at half rated capacity (T):**

**Temperature reached for minimum 5 min inside the load during eco 40-60 programme at quarter rated capacity (T):**

**Spin speed in the spinning phase of the eco 40-60 programme at rated capacity (S):**

**Spin speed in the spinning phase of the eco 40-60 programme at half rated capacity (S):**

**Spin speed in the spinning phase of the eco 40-60 programme at quarter rated capacity (S):**

**Remaining moisture content for the eco 40-60 programme at rated capacity (Dfull):**

**Remaining moisture content for the eco 40-60 programme at half rated capacity (D1/2):**

**Remaining moisture content for the eco 40-60 programme at quarter rated capacity (D1/4):**

**Weighted remaining moisture content (D):**

**Airborne acoustical noise emissions during eco 40-60 programme (spinning phase):**

**Power consumption in 'off mode' (Po):**

**Power consumption in 'standby mode' (Psm):**

**Does 'standby mode' include the display of information?**

**YES/NO:**

**Power consumption in 'standby mode' (Psm) in condition of networked standby (if applicable):**

**Power consumption in 'delay start' (Pds) (if applicable):**

**Additional information:**

(c) where appropriate, the references of the harmonised standards applied;

(d) where appropriate, the other technical standards and specifications used;

(e) the details and the results of calculations performed in accordance with Annex IV;

(f) a list of all equivalent models including the model identifier.

