



**LI5 1080 EU** Built-In Washing Machine with 15 wasinhg programs



Quick Cycle



Washing capacity: 8Kg

**DESCRIPTION**

Built-In Washing Machine with 15 wasinhg programs

**LIFE STYLE**

Total

**COLOURS**



**REFERENCE**

REF. 40830050  
EAN. 8421152150429

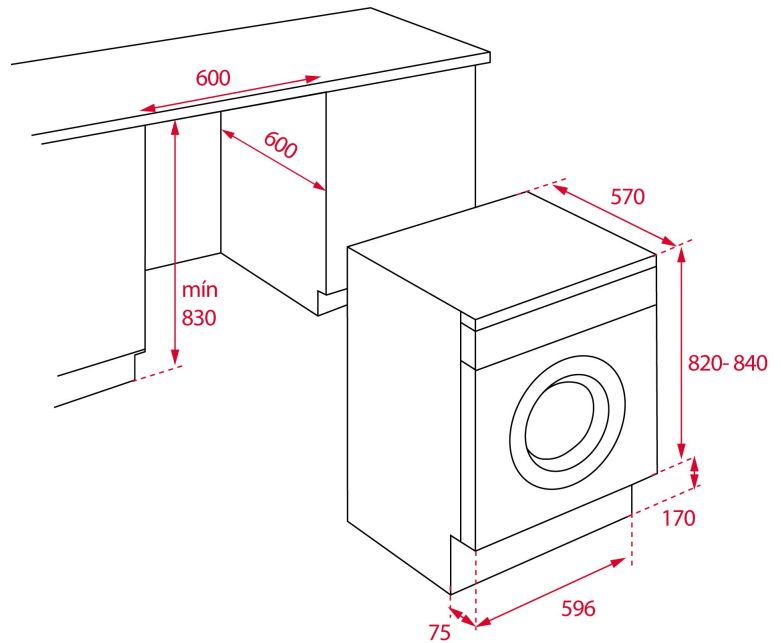


TEKA

LI5 1080 EU

## FEATURES

Built-in Washing Machine  
Electronic control panel  
Washing capacity: 8 kg  
15 washing programs  
Fast program: 14 minutes  
Special programs: ECO mode, Delicate  
Delay timer function  
SmartWash system  
Maximum spinning speed: 1000 RPM  
Automatic water regulation  
Automatic door lock safety system  
Child lock  
SoftCare drum  
Delay timer: 1-24 hours  
30 cm wide porthole door



## DIMENSIONS

**Product height (mm):** 820  
**Product width (mm):** 596  
**Product depth (mm):** 570  
**Product length (mm):**  
**Net weight (Kg):** 68

## TECH SPECS

### PRODUCT SHEET

**Type of installation:** Built-in  
**Energy consumption (kWh/year):** 196  
**Water consumption (litres/year):** 9850

### POWER SUPPLY

**Frequency (Hz):** 50  
**Power rate (V):** 220-240  
**Maximum Nominal Power (W):** 1600  
**Nominal power motor (W):** 350  
**Power of heating element (W):** 1600

### PARTICULAR CHARACTERISITICS

**Stainless Steel Drum:** Yes  
**Number of programs:** 15  
**Number Of Washing Temperatures:** 5  
**Control panel:** ELECTRONIC  
**Electronic washing management:** Yes  
**Child lock:** Yes  
**Auto lock door:** Yes  
**Cancel spin cycle button:** Yes

### CONTROL INDICATOR LIGHTS

**Selected program indicator:** Yes

## SPECIAL FUNCTIONS

**Remaining time:** Yes

**Fast program:** Yes

**Fast program (minutes):** 14

**Economic program:** Yes

**Intense program:** Yes

**Delayed Timer (h):** 0-24

**Delicate fabrics:** Yes

**Resistant:** Yes

**Quick Wash:** Yes

## EQUIPMENT

**Adjustable Feet Back:** Yes

**Adjustable feet front:** Yes

## PRODUCT INFORMATION SHEET (UE) 2019/2014

**Supplier's name or trade mark :** TEKA

**Supplier's address :** C/Cajo, 17, Santander , Spain

**Model identifier :** LI5 1080 EU

### General product parameters

**Rated capacity for the eco 40-60 programme (Kg) :** 8

### Dimensions (cm)

**Height :** 82

**Width :** 60

**Depth:** 53

### Consumption and efficiency

**Energy Efficiency Index (a):** 80

**Energy efficiency class (a):** D

**Washing efficiency index (a):** 1,04

**Rinsing effectiveness (g/kg) (a):** 4,9

**Energy consumption in kWh per cycle, based on the eco 40-60 programme. Actual energy consumption will depend on how the appliance is used.:** 0,727

**Water consumption in litre per cycle, based on the eco 40-60 programme. Actual water consumption will depend on how the appliance is used and on the hardness of the water.:** 44

**Maximum temperature inside the treated textile (a) (°C)**

**Remaining moisture content (a) (%)**

**Spin speed (a) (rpm)**

**Rated capacity:** 951

**Half:** 951

**Quarter:** 951

**Spin-drying efficiency class (a):** 62

**Eco 40-60 programme duration (a) (h:min)**

### Other

**Type:** Built-in

**Airborne acoustical noise emissions in the spinning phase (a) (dB(A) re 1 pW):** 74

**Airborne acoustical noise emission class (a) (spinning phase):** B

**Off-mode (W):** 0,5

**Standby mode (W):** 1

**Delay start (W) (if applicable):** 4

**Minimum duration of the guarantee offered by the supplier (b):** 24

**This product has been designed to release silver ions during the washing cycle YES/NO: 0**

**Additional information:**

Weblink to the supplier's website, where the information in point 9 of Annex II to Commission Regulation (EU) 2019/2023 (1) (b) is found: [www.teka.com](http://www.teka.com)

(a) for the eco 40-60 programme.

(b) changes to these items shall not be considered relevant for the purposes of paragraph 4 of Article 4 of Regulation (EU) 2017/1369.

(c) if the product database automatically generates the definitive content of this cell the supplier shall not enter these data.

**TECHNICAL DOCUMENTATION  
(UE) 2019/2014**

**Rated capacity for the eco 40-60 programme, at 0,5 kg intervals (c): 8**

**Energy consumption of the eco 40-60 programme at rated capacity (EW,full): 1,104**

**Energy consumption of the eco 40-60 programme at half rated capacity (EW, $\frac{1}{2}$ ): 0,657**

**Energy consumption of the eco 40-60 programme at quarter rated capacity (EW, $\frac{1}{4}$ ): 0,373**

**Weighted energy consumption of the eco 40-60 programme (EW): 0,727**

**Standard energy consumption of the eco 40-60 programme (SCEW): 0,909**

**Energy Efficiency Index (EEIW): 80**

**Water consumption of the eco 40-60 programme at rated capacity (WW,full): 63**

**Water consumption of the eco 40-60 programme at half rated capacity (WW, $\frac{1}{2}$ ): 37**

**Water consumption of the eco 40-60 programme at quarter rated capacity (WW, $\frac{1}{4}$ ): 28**

**Weighted water consumption (WW): 44**

**Washing efficiency index of the eco 40-60 programme at rated capacity (Iw): 1,04**

**Washing efficiency index of the eco 40-60 programme at half rated capacity (Iw): 1,04**

**Washing efficiency index of the eco 40-60 programme at quarter rated capacity (Iw): 1,04**

**Rinsing effectiveness of the eco 40-60 programme at rated capacity (IR): 4,9**

**Rinsing effectiveness of the eco 40-60 programme at half rated capacity (IR): 4,9**

**Rinsing effectiveness of the eco 40-60 programme at quarter rated capacity (IR): 4,9**

**Spin speed in the spinning phase of the eco 40-60 programme at rated capacity (S): 951**

**Spin speed in the spinning phase of the eco 40-60 programme at half rated capacity (S): 951**

**Spin speed in the spinning phase of the eco 40-60 programme at quarter rated capacity (S): 951**

**Airborne acoustical noise emissions during eco 40-60 programme (spinning phase): 74**

**Power consumption in 'off mode' (Po): 0,5**

**Power consumption in 'standby mode' (Psm): 1**

**Power consumption in 'standby mode' (Psm) in condition of networked standby (if applicable): N.A.**

**Power consumption in 'delay start' (Pds) (if applicable): 4**

**Additional information:**

(c) where appropriate, the references of the harmonised standards applied;

(d) where appropriate, the other technical standards and specifications used;

(e) the details and the results of calculations performed in accordance

with Annex IV;

(f) a list of all equivalent models including the model identifier.



LI5 1080 EU

ENERGY LABEL

The energy label features the European Union flag and the word 'ENERGY' in blue. Below it, the TEKA logo and model number 'LI5 1080 EU' are displayed. A QR code is located in the top right corner. The energy efficiency scale is shown as a vertical bar with seven levels: A (green), B (light green), C (yellow-green), D (yellow), E (orange), F (red-orange), and G (red). A black arrow points to level D. Below the scale, the energy consumption is listed as '73 kwh' and '100' with a circular arrow icon. Three icons represent capacity (8,0 kg), cycle time (3:38), and water consumption (44 L). Two noise level icons are shown: one for a hand holding a cloth (AB C D E F G) and one for a speaker (74 dB A B C D). The number '100' is printed vertically on the right side.