

TEKA**HLB 850 BK-SS**

Multifunction oven with 9 cooking functions, SoftClose and HydroClean system



70L



Plus extension guides:
75% extraction



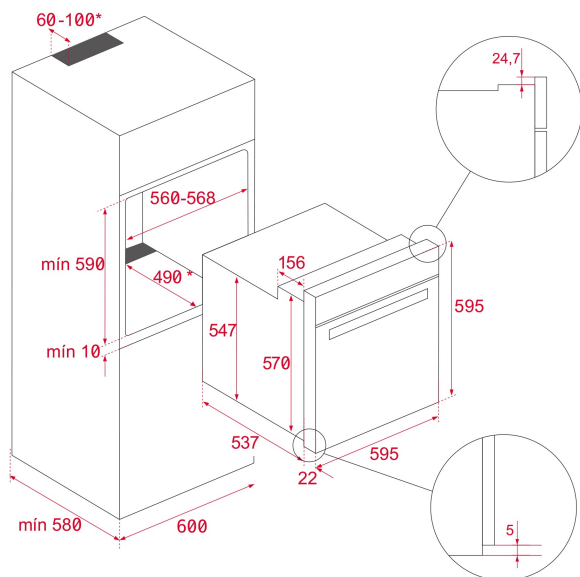
HydroClean steam cleaning system



SoftClose



SurroundTemp

**REFERENCE**

REF: 41560290

EAN: 8421152154526

FEATURES

Multifunction oven
9 cooking functions
Automatic HydroClean system
Touch control display with knobs
Electronic timer (Delay/Start function)
Chrome supports with 5 cooking levels
Plus-extension telescopic guides
Removable double glazed door
SoftClose system
Children safety lock
Manual quick preheating
Anti-tip deep tray, baking tray and reinforced grid
Capacity (gross/net): 71 / 70 litres

DIMENSIONS**Product height (mm):** 595**Product width (mm):** 595**Product depth (mm):** 537+22**Product length (mm):****Net weight (Kg):** 28**TECHNICAL DETAILS**

Energy Efficiency Class: A+

Power rate (V): 220-240

Frequency (Hz): 50/60

Maximum Nominal Power (W): 3215

COLOURS

41560290

Black glass with frame