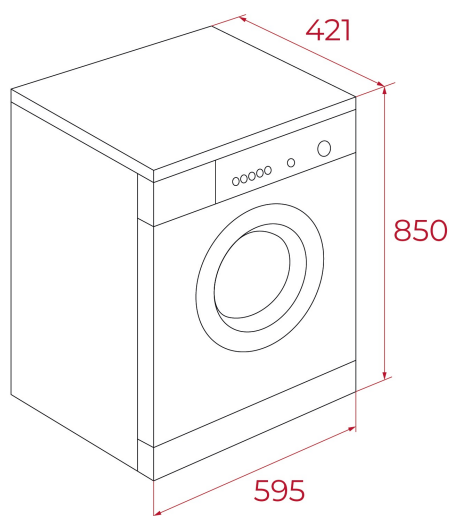


TEKA**WMK 10620 WH**

Washing machine with 6 kg capacity and 15 programs

Quick
Cycle**REFERENCE**

REF: 113920010

EAN: 8434778032581

FEATURES

Free standing washing machine
Electronic control panel
Washing capacity: 6 kg
15 washing programs
Special programs: Fast: 15 minutes, ECO mode, Wool, Delicate, Sport, Cotton, BabyCare, Jeans
Special functions: Delay timer, Speed wash, Steam, Extra rinse, Prewash, DrumClean reminder, Mute
Maximum spinning speed: 1200 RPM
Automatic water regulation
Automatic door lock safety system
Child lock
Balance control system
SoftCare drum
28,8 cm wide porthole door

DIMENSIONS**Product height (mm):** 850**Product width (mm):** 595**Product depth (mm):** 465**Product length (mm):****Net weight (Kg):** 55**TECHNICAL DETAILS**

Energy efficiency class (UE 2019/2016): D

Washing performance Class: /

Spinning efficiency class: C

Water consumption (litres/year): /

Noise Level (dBA): + 78

Power rate (V): 220-240 V~

Frequency (Hz): 50 Hz

COLOURS

113920010

White