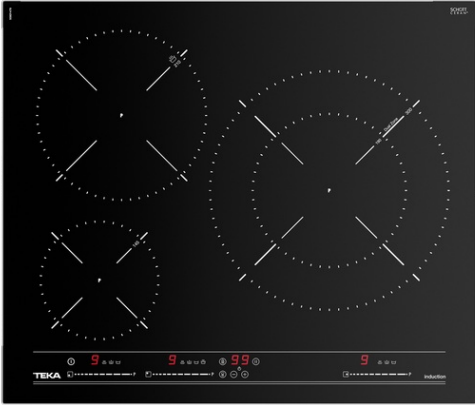




# IT 6320 60cm Induction Hob with 3 zones and MultiSlider Touch Control



MultiSlider



Autolock



Power



Power Plus



Easy  
installation

## DESCRIPTION

60cm Induction Hob with 3 zones and MultiSlider Touch Control

## LIFE STYLE

Total

## COLOURS

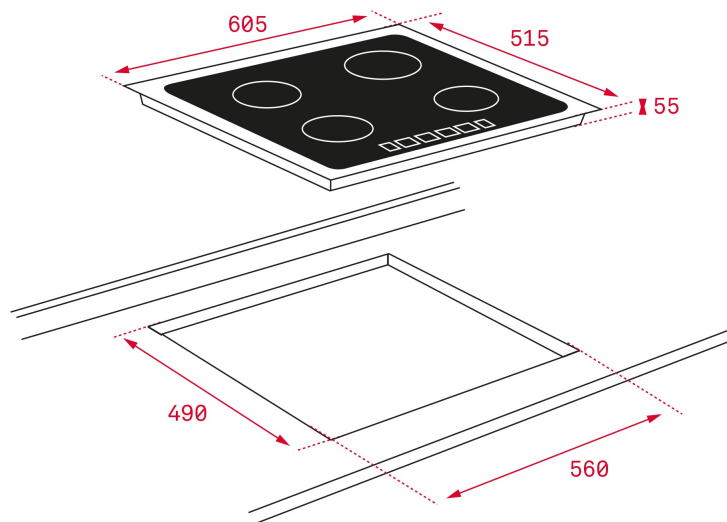


## REFERENCE

REF. 10210172  
EAN. 8421152148556

**FEATURES**

Induction hob  
MultiSlider touch control  
Cooking timer  
3 cooking zones:  
1 induction Ø 190/300 mm  
1 induction Ø 210 mm  
1 induction Ø 145 mm  
Power Plus function  
4 special cooking functions: Boiling, Simmering, Melting and KeepWarm  
Power management function  
Child lock  
Stop & Go Function  
Silence mode  
Residual heat indicators  
Maximum nominal power : 7.400 W



## DIMENSIONS

**Product height (mm):** 50  
**Product width (mm):** 605  
**Product depth (mm):** 515  
**Product length (mm):**  
**Net weight (Kg):** 10,7

## TECH SPECS

### FITTING MEASURES

**Built-in Width (mm):** 560  
**Built-in Depth (mm):** 490  
**Built-in Height (mm):** 50

### PARTICULAR CHARACTERISTICS

**Number of electric power levels:** 9  
**Quick Boiling:** Yes  
**Simmering:** Yes  
**Melting:** Yes  
**Keeping warm:** Yes  
**Power management function:** Yes

### ELECTRIC CONNECTION

**Frequency (Hz):** 50/60  
**Power rate (V):** 220-240  
**Cable Connection Length (cm):** 110  
**Maximum Nominal Power (W) (Electric hob):** 7400

### COOKING ZONES

**Cooking Zones:** 3

**Energy consumption for the whole hob, Wh/Kg: 184**

**SECURITY SYSTEM**

**Residual heat indicator (Gas):** Yes

**Residual heat indicator (Electric hob):** Yes

**Automatic safety disconnection (Auto Lock) (Electric hob):** Yes

**Safety Blocking:** Yes

**Child lock:** Yes

**FINISH**

**Surface finishing:** Slim metal frame

**Surface type:** Ceramic Glass (4mm)

**Easy installation system:** Yes

**ACCESSORIES**

**Junction Kit:** NO

**Teppan Yaki:** Optional

