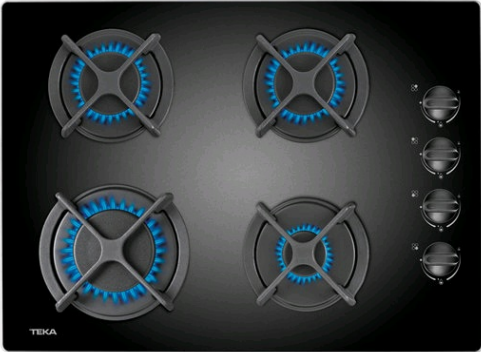




HF LUX 50 4G AI AL 50 cm Gas on Glass Hob with 4 burners of butane gas



Auto ignition

DESCRIPTION

50 cm Gas on Glass Hob with 4 burners of butane gas

LIFE STYLE

Total

COLOURS



REFERENCE

REF. 40229015
EAN. 8421152126950



TEKA

HF LUX 50 4G AI AL

FEATURES

Gas typology : LPG (butane/propane)

50 cm gas on glass hob

Frameless tempered glass

Individual enamelled grids

Auto-ignition

Auto-lock safety device

Black lateral knobs

4 cooking zones :

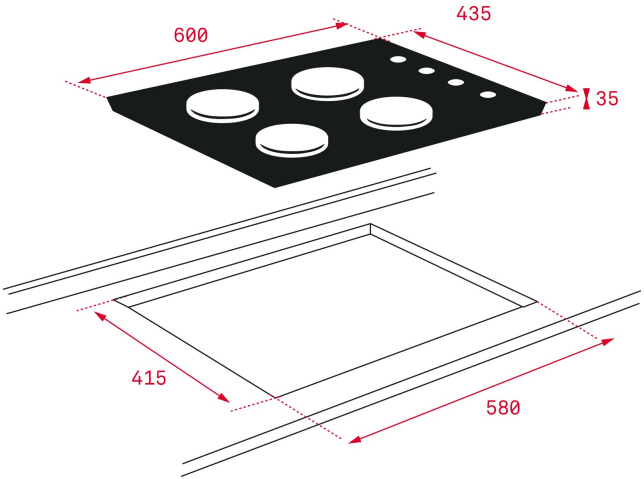
1 fast burner (3 kW)

2 semi-fast burners (1.75 kW)

1 auxiliary burner (1 kW)



HF LUX 50 4G AI AL



DIMENSIONS

- Product height (mm): 35
- Product width (mm): 600
- Product depth (mm): 435
- Product length (mm):
- Net weight (Kg): 10,9

TECH SPECS

FITTING MEASURES

- Built-in Width (mm): 580
- Built-in Depth (mm): 415
- Built-in Height (mm): 35

PARTICULAR CHARACTERISITICS

- Gas type: Butane
- Maximum nominal power (W) (Gas): 600
- Auto ignition: Yes

ELECTRIC CONNECTION

- Frequency (Hz): 50
- Cable Connection Length (cm): 120

COOKING ZONES

- Cooking Zones: 4

ACCESSORIES

- Enamelled Grids: Yes

