



**DLH 1186 T** 120cm Decorative A+ Hood with Touch Cntrl display and ECOPOWER motor



LED



Stop Delay  
Timer

**DESCRIPTION**

120cm Decorative A+ Hood with Touch Cntrl display and ECOPOWER motor

**LIFE STYLE**

Maestro

**COLOURS**

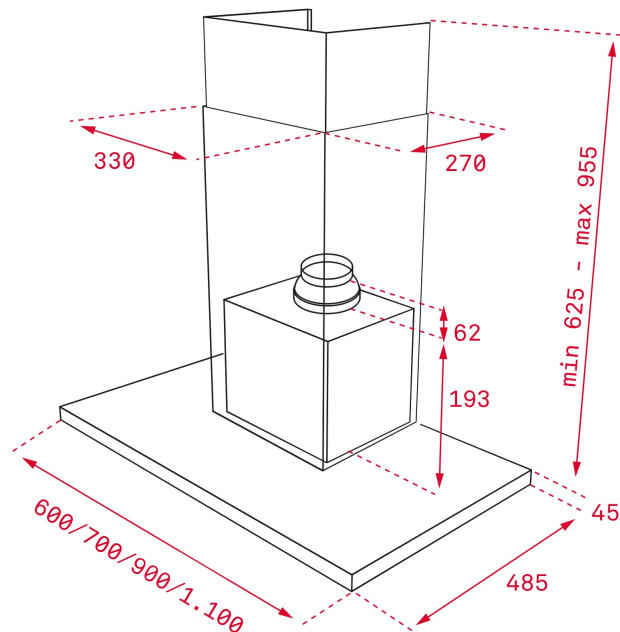


**REFERENCE**

REF. 40487183  
EAN. 8421152157459

**FEATURES**

Decorative hood  
Double turbine armored motor EcoPower  
Power Rating: A +  
Touch Control digital controls with white display  
3 speeds + intensive  
Selected speed digital indicator  
Aspiration timer  
Non-Return Valve  
Extraction capacities (\*): min. 303 m<sup>3</sup> / h – max. 701 m<sup>3</sup> / h  
Sound power (\*): min. 53 dBA – max. 69 dBA  
LED Lighting Bar  
Stainless steel decorative filters  
Filter saturation indicator light  
Possibility of operation in recirculation (SET D1CTP)  
(\* ) Delegated Regulation (EU) No 65/2014 of the Commission of 1 October 2013.



## DIMENSIONS

**Product height (mm):** 670-1000

**Product width (mm):** 1100

**Product depth (mm):** 480

**Product length (mm):**

**Net weight (Kg):** 16,64

## TECH SPECS

### PARTICULAR CHARACTERISTICS

**Certificates:** CE; CB; Rohs  
**Ø Outlet (mm):** 150  
**Type of inner light:** LED  
**Inside light Consumption (W):** 6  
**Plug type:** Schuko plug  
**Power rate (V):** 220240  
**Frequency (Hz):** 50  
**Total hood power (W):** 271  
**Number of motors:** 1  
**Motor power (W):** 265

**EU REGULATION NO. 65/2014  
&66/2104**

**Annual energy consumption AEC kWh/annum (kWh):** 40,7  
**Energy Efficiency Class:** A+  
**Fluid Dynamic Efficiency (FDEhood):** 35,3  
**Fluid Dynamic Efficiency class:** A  
**Light Efficiency (Lehood) lux/Watt:** 49,3  
**Lighting Efficiency class:** A  
**Grease Filtering Efficiency class:** C  
**Air flow (Qmin) m3/h:** 303  
**Air flow (Qmax):** 584

**Air flow (Qboost):** 701  
**Noise (LwA) Min Speed (dB):** 53  
**Noise (LwA) Max Speed (dB):** 69  
**Noise (LwA) boost speed (dB):** 72  
**Off mode Power (Po) W:** 0,25  
**Energy Efficiency Index (EEI):** 42,0  
**Time increase factor:** 0,7  
**Air pressure at best efficiency point(Pbep) Pa:** 469  
**Electric power input at best efficiency point (Wbep) W:** 142,2  
**Nominal power of the lighting system (WL) W:** 6  
**Average illumination of the lighting system on the cooking surface (Emiddle) Lux:** 296

## ACCESSORIES

**Anti Return valve:** Yes  
**Outlet reduction:** Yes  
**Optional Charcoal Filter:** D1C  
**Charcoal filter description:** CHARCOAL FILTER D1C

## MODELS

**Number of filters:** 4  
**Filter description:** Stainless Steel filters  
**Control panel:** Touch control Glas front White display  
**Stop delay timer:** Yes  
**Filter saturation indicator:** Yes  
**Number of speeds:** 3+1

## PRODUCT INFORMATION SHEET - DELEGATED REGULATION (EU) 65/2014

**Supplier name or trademark:** TEKA  
**Model identifier:** DLH 1186 T  
**Annual Energy Consumption:** 40,7  
**Energy Efficiency Class:** A+  
**Fluid Dynamic Efficiency:** 35,3  
**Fluid Dynamic Efficiency class:** A  
**Lighting Efficiency:** 49,3  
**Lighting Efficiency class:** A  
**Grease Filtering Efficiency class:** C  
**Air flow (min speed normal use):** 303  
**Air flow (max speed normal use):** 584  
**Air flow (intensive or boost use):** 701  
**Airborne acoustical A-weighted sound power emissions (min speed normal use):** 53  
**Airborne acoustical A-weighted sound power emissions (max speed normal use):** 69  
**Airborne acoustical A-weighted sound power emissions (intensive or boost use):** 72  
**Power consumption in off mode (W):** 0,25  
**Power consumption in standby mode (W):** n.a



DLH 1186 T

ENERGY LABEL

The image shows a standard European Energy Label for a Teka DLH 986/1186 T. The label is rectangular with a blue border and contains the following information:

- Top Left:** European Union flag and the word "ENERG" in large letters, with "енергия · енергiя" below it. To the right are four small circles containing the letters Y, A, IE, and IA.
- Brand and Model:** "Teka" on the left and "DLH 986/1186 T" on the right.
- Energy Efficiency Scale:** A vertical bar on the left shows seven energy efficiency classes from A+ (green) at the top to F (red) at the bottom. A black arrow on the right points to the A+ class.
- Energy Consumption:** A box on the right contains the number "41" and "kWh/annum" below it.
- Additional Metrics:** Four icons in a row at the bottom represent: 1) Fan speed (A, B, C, D, E, F), 2) Light emission (A, B, C, D, E, F), 3) Water consumption (A, B, C, D, E, F), and 4) Sound power level (69 dB).
- Bottom Left:** Reference number "65/2014".
- Bottom Right:** Small reference number "1130267".