



DVU 590 90cm Vertical Hood with Touch Control panel and remote control



Remote Control



LED



Stop Delay
Timer

DESCRIPTION

90cm Vertical Hood with Touch Control panel and remote control

LIFE STYLE

Maestro

COLOURS



REFERENCE

REF. 40491305
EAN. 8421152127261

FEATURES

Vertical decorative hood
Touch control panel
Remote control
Operating pilot light
Conventional aspiration
3 speeds
Exhaust capacities:
Free Outlet (m³/h): 553
Max. (m³/h): 538
Min. (m³/h): 443
Noise (LwA) Max Speed 59 dB
Noise (LwA) Min Speed 50 dB
LED illumination
2 aluminium filters
Stop delay timer

DIMENSIONS

Product height (mm):

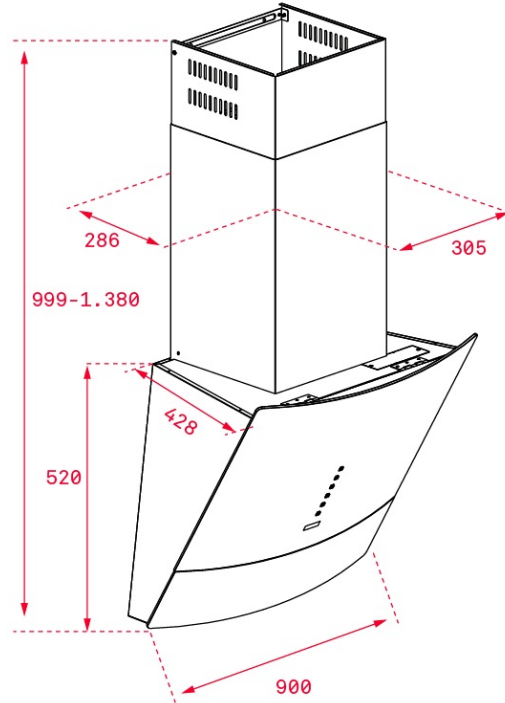
1001~1391

Product width (mm): 900

Product depth (mm): 432

Product length (mm):

Net weight (Kg): 31



TECH SPECS

PARTICULAR CHARACTERISTICS

Type of hood: Vertical

Style: Decoratives

Certificates: CE

Ø Outlet (mm): 150

Type of inner light: LED

Inside light Consumption (W): 2

Plug type: European plug

Power rate (V): 220V240V

Frequency (Hz): 50

Total hood power (W): 204

Number of motors: 1

Motor power (W): 200

Exhaust Capacity - Free Outlet (m3/h): 553

**EU REGULATION NO. 65/2014
&66/2104**

Annual energy consumption AEC kWh/annum (kWh): 89,0

Energy Efficiency Class: D

Fluid Dynamic Efficiency (FDEhood): 15,3

Fluid Dynamic Efficiency class: D

Light Efficiency (Lehood) lux/Watt: 33,0

Lighting Efficiency class: A

Grease Filtering Efficiency class: D
Air flow (Qmin) m3/h: 443
Air flow (Qmax): 538
Air flow (Qboost): 0
Noise (LwA) Min Speed (dB): 50
Noise (LwA) Max Speed (dB): 59
Noise (LwA) boost speed (dB): 0
Off mode Power (Po) W: 0,00
Standby Power (Ps) W: 0,36
Energy Efficiency Index (EEI): 86,2
Time increase factor: 1,5
Electric power input at best efficiency point (Wbep) W: 150,8
Nominal power of the lighting system (WL) W: 4
Average illumination of the lighting system on the cooking surface (Emiddle) Lux: 131

ACCESSORIES

Anti Return valve: Yes
Outlet reduction: Yes
Optional Charcoal Filter: D6C
Charcoal filter description: CHARCOAL FILTER D6C

MODELS

Number of filters: 2
Filter description: aluminum
Control panel: SOFT TOUCH WITH REMOTE CONTROL (AUTO OPENING)
Remote control: Yes
Stop delay timer: Yes
Number of speeds: 3

PRODUCT INFORMATION SHEET - DELEGATED REGULATION (EU) 65/2014

Supplier name or trademark: TEKA
Model identifier: DVU 590
Annual Energy Consumption: 89,0
Energy Efficiency Class: D
Fluid Dynamic Efficiency: 15,3
Fluid Dynamic Efficiency class: D
Lighting Efficiency: 33,0
Lighting Efficiency class: A
Grease Filtering Efficiency:
Grease Filtering Efficiency class: D
Air flow (min speed normal use): 443
Air flow (max speed normal use): 538
Air flow (intensive or boost use): 0
Airborne acoustical A-weighted sound power emissions (min speed normal use): 50
Airborne acoustical A-weighted sound power emissions (max speed normal use): 58
Airborne acoustical A-weighted sound power emissions (intensive or boost use):
Power consumption in off mode (W): 0,00
Power consumption in standby mode (W): 0,36



DVU 590

ENERGY LABEL

