



ML 820 BI 20L Built-in Mechanical Microwave



Defrost By
Time



18L

DESCRIPTION

20L Built-in Mechanical Microwave

LIFE STYLE

Maestro

COLOURS



REFERENCE

REF. 40584201
EAN. 8421152145562

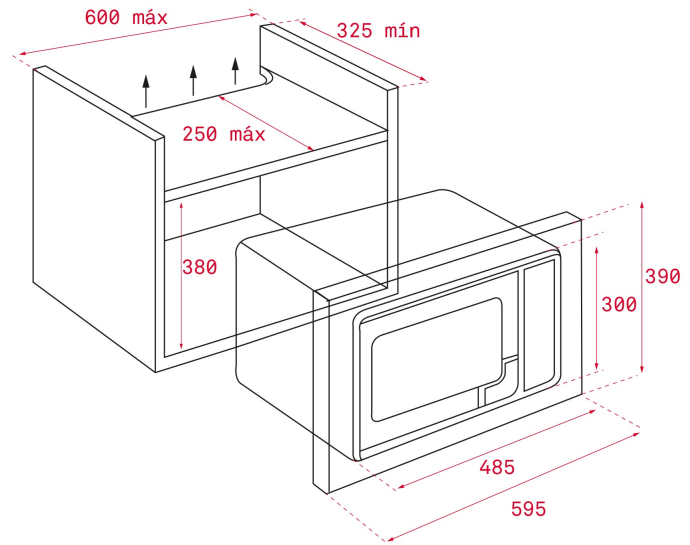


TEKA

ML 820 BI

FEATURES

Microwave
Capacity: 20 litres
Electromechanical controls
5 power levels, 700 W
1 cooking function
Automatic defrosting by time
Double glazed door
Stainless steel inner cavity



DIMENSIONS

Product height (mm): 390
Product width (mm): 595
Product depth (mm): 325
Product length (mm):
Net weight (Kg): 18,6

TECH SPECS

PARTICULAR CHARACTERISTICS

Certificates: CE/CB
Number of cavities: 1
Number of cooking functions: 1
Number of guide levels (lower cavity): 0
Microwave function: Yes
Number of power levels: 5

ELECTRIC CONNECTION

Maximum Nominal Power (W): 1200
Frequency (Hz): 50
Power rate (V): 220 - 240
Cable Connection Length (cm): 110
Plug: Yes

SECURITY SYSTEM

Automatic disconnection when opening the door: Yes
Safety Thermostat: Yes

ACCESSORIES

Glass Tray: 0

ENERGY EFFICIENCY

Energy Efficiency Index (EEI): A

