



# HBC 535 Conventional compact oven with HydrocleanECO in 45 cm



48L



HydroClean

**DESCRIPTION**

Conventional compact oven with HydrocleanECO in 45 cm

**LIFE STYLE**

Easy

**COLOURS**

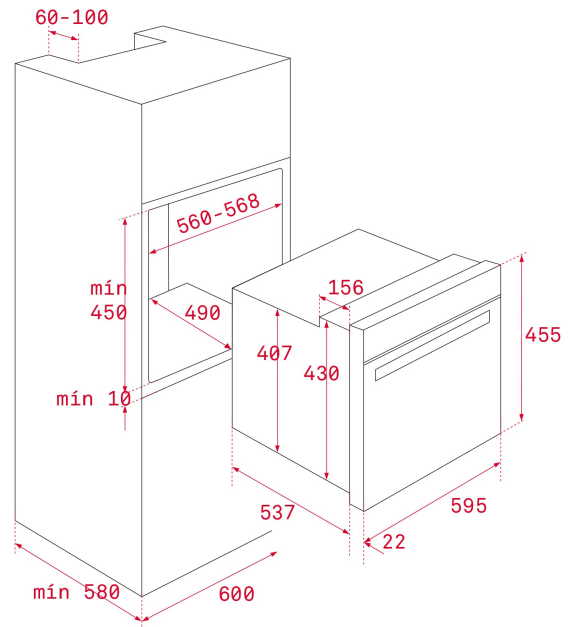


**REFERENCE**

REF. 41531010  
EAN. 8421152148440

**FEATURES**

Conventional  
HydroClean® ECO cleaning system  
A Energy class  
Esmalte Slippery  
Capacity: 49/48 litres (gross/net)  
Minute Minder  
3 cooking functions  
Double removable glazed door  
Full glass inner door  
Plus Extension telescopic guide easy slide  
Anti-tip deep tray and cooking grid  
Dynamic ventilation  
Optional Muticook and cast aluminium tray



## DIMENSIONS

**Product height (mm):** 455

**Product width (mm):** 595

**Product depth (mm):** 537+22

**Product length (mm):**

**Net weight (Kg):** 23

## TECH SPECS

### PARTICULAR CHARACTERISTICS

**Certificates:** N / CE / CCA / CB

**Number of cavities:** 1

**Type of inner light:** Halogen

**Inside light position:** Right top corner

**Enamelled cavity:** Yes

**Function selector:** 3+0

**Number of cooking functions:** 3

**Top function:** Yes

**Bottom function:** Yes

**Minute Minder:** Yes

**Knobs type:** MMX FIX KNOB knurling

**Removable chromed tray guides:** Yes

**Number of guide levels:** 4

**Number of guide levels (lower cavity):** 0

### ELECTRIC CONNECTION

**Maximum Nominal Power (W):** 2593

**Frequency (Hz):** 50/60

**Power rate (V):** 220-240

**Cable Connection Length (cm):** 110

**Inside light Consumption (W):** 25

## ENERGY CONSUMPTION

**Energy consumption per cycle in conventional mode (kWh):**  
0.68

**Energy consumption per cycle in fan-forced convection mode (kWh):** No

**Bottom Heating Element (W):** 1150

**Grill (W):** 1400

**Grill (Lower Cavity) (W):** 0

**Traditional (W):** 2550

**Cooling Fan Motor (W):** 18

## SECURITY SYSTEM

**Grill protection:** Yes

**Anti-tip tray system:** Yes

**Safety Thermostat:** Yes

## CLEANING SYSTEM

**Fingerprint proof stainless steel:** Yes

**Crystal Clean Enamel (Slippery):** Yes

**Hydroclean ECO:** Yes

## ACCESSORIES

**Deep Tray (50 mm):** 1

**Glass Tray:** 0

**Standard grid:** 1

## ENERGY EFFICIENCY

**Energy Efficiency Class:** A

**Energy Efficiency Index (EEI):** 90,7

## PRODUCT INFORMATION SHEET - DELEGATED REGULATION (EU) 65/2014

**Supplier name or trademark:** TEKA

**Model identifier:** HBC 535

**Number of cavities:** 1

### Cavity 1

**Energy Efficiency Index:** 90,7

**Energy Efficiency Class:** A

**Energy consumption per cycle (conventional mode):** 0.68

**Energy consumption per cycle (fan-forced convection mode):** -

**Heat source :** Electric

**Volume:** 49



HBC 535

ENERGY LABEL

The energy label for the TEKA HBC 535 is a vertical rectangular sticker with a blue border. At the top left is the European Union flag. To its right is the word "ENERG" in large blue letters, with "енергия - енергетика" in smaller black letters below it. Further right are two circular icons: one with "Y UA" and another with "IE IA". Below this header is the TEKA logo and the model number "HBC 535". A small icon of a washing machine is shown with a power cord. The main part of the label features a vertical scale of energy efficiency classes from A+++ (top, green) to D (bottom, red). A black arrow points to the 'A' class. Below the scale are two boxes: the first shows a washing machine icon and "48 L"; the second shows a washing machine icon and "0.77 kWh/cycle\*", with a smaller icon below it and "- kWh/cycle\*". At the bottom, there is a line of small text in multiple languages and the date "65/2014".