



HBB 435 60cm Conventional Oven



72L

DESCRIPTION

60cm Conventional Oven

LIFE STYLE

Easy

COLOURS



REFERENCE

REF. 41560010
EAN. 8421152148891

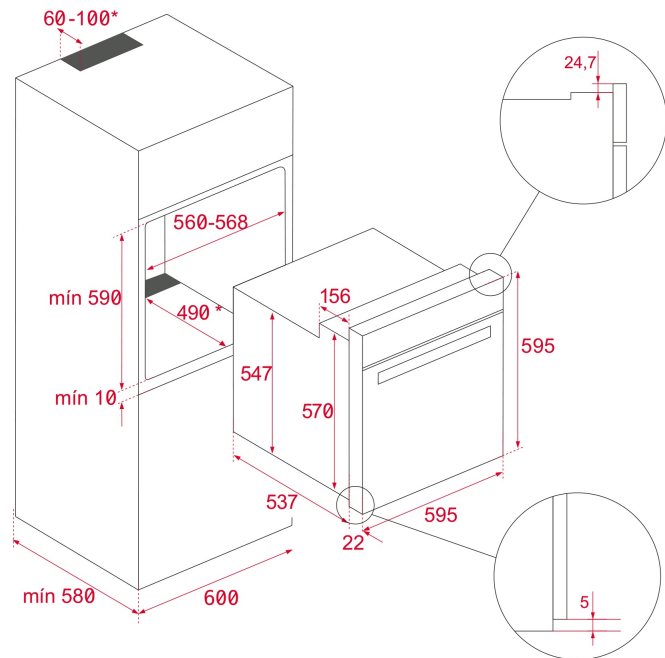


TEKA

HBB 435

FEATURES

Conventional
Enamel Slippery
A Energy class
Capacity, gross/net: 75/72 litres
Double removable glazed door
Full glass inner door
Deep tray
Dynamic ventilation
Anti-tip cooking grid
Optional The SteamBox



DIMENSIONS

Product height (mm): 595

Product width (mm): 595

Product depth (mm): 537+22

Product length (mm):

Net weight (Kg): 24

TECH SPECS

PARTICULAR CHARACTERISTICS

Certificates: N / CE / CCA / CB / EAC/GMARK

Number of cavities: 1

Type of inner light: Halogen

Inside light position: RIGHT TOP CORNER

Enamelled cavity: Yes

Function selector: 3+0

Number of cooking functions: 3

Grill function: Yes

Bottom function: Yes

Knobs type: MMX FIX knurling

Number of guide levels: 5

ELECTRIC CONNECTION

Maximum Nominal Power (W): 2593

Frequency (Hz): 50/60

Power rate (V): 220-240

Cable Connection Length (cm): 110

Inside light Consumption (W): 25

ENERGY CONSUMPTION

Energy consumption per cycle in conventional mode (kWh):

0.81

Energy consumption per cycle in fan-forced convection mode

(kWh): No

Bottom Heating Element (W): 1150

Grill (W): 1400

Traditional (W): 2550

Cooling Fan Motor (W): 18

SECURITY SYSTEM

Grill protection: Yes

Anti-tip tray system: Yes

Safety Thermostat: Yes

CLEANING SYSTEM

Fingerprint proof stainless steel: Yes

Crystal Clean Enamel (Slippery): Yes

ACCESSORIES

Deep Tray (50 mm): 1

ENERGY EFFICIENCY

Energy Efficiency Class: A

Energy Efficiency Index (EEI): 95,3

PRODUCT INFORMATION SHEET - DELEGATED REGULATION (EU) 65/2014

Supplier name or trademark: TEKA

Model identifier: HBB 435 SS E00

Number of cavities: 1

Cavity 1

Energy Efficiency Index: 95,3

Energy Efficiency Class: A

Energy consumption per cycle (conventional mode): 0.81

Energy consumption per cycle (fan-forced convection mode): -

Heat source : Electric

Volume: 75



HBB 435

ENERGY LABEL

