



# HSB 620 P 60cm Multifunction Pyrolytic Oven cleaning system DualClean



70L



DualClean



HydroClean



Pyrolysis

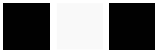
**DESCRIPTION**

60cm Multifunction Pyrolytic Oven cleaning system DualClean

**LIFE STYLE**

Total

**COLOURS**

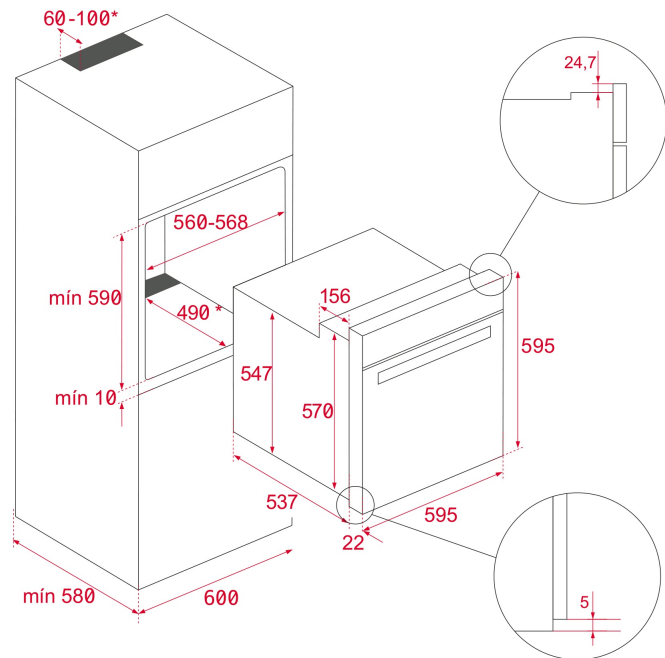


**REFERENCE**

REF. 41566030  
EAN. 8421152148839

**FEATURES**

Pyrolytic Multifunction  
3 pyrolytic cleaning cycles  
HydroClean® PRO cleaning system  
Enamel Slippery  
A+ Energy class: up to 20% less consumption  
Capacity, gross/net: 71/70 litres  
Touch Control panel with LED display  
Express preheating  
ECO & defrosting functions  
Children safety block, timer and door  
Automatic disconnection security system  
Triple removable glazed door  
Full glass inner door  
Anti-tip deep tray and cooking grid  
Tangential ventilation Plus with 2 speeds  
Optional Multicook and cast aluminium tray



## DIMENSIONS

**Product height (mm):** 595

**Product width (mm):** 595

**Product depth (mm):** 537+22

**Product length (mm):**

**Net weight (Kg):** 31

## TECH SPECS

### PARTICULAR CHARACTERISITICS

**Certificates:** N / CE / CCA / CB

**Number of cavities:** 1

**Type of inner light:** Halogen

**Inside light position:** Right top corner

**Enamelled cavity:** Yes

**Function selector:** 11+0

**Number of cooking functions:** 8

**Grill function:** Yes

**MaxiGrill function:** Yes

**Bottom function:** Yes

**ECO function:** Yes

**Mechanical quick heating:** Yes

**Touch Control Programmer:** Yes

**Knobs type:** MMX FIX knurling

**Removable chromed tray guides:** Yes

**Number of guide levels:** 5

### ELECTRIC CONNECTION

**Maximum Nominal Power (W):** 3552

**Frequency (Hz):** 50/60

**Power rate (V):** 220-240

**Cable Connection Length (cm):** 110

**Inside light Consumption (W):** 25

## ENERGY CONSUMPTION

**Energy consumption per cycle in conventional mode (kWh):**  
0.88

**Energy consumption per cycle in fan-forced convection mode (kWh):** 0,68

**Bottom Heating Element (W):** 1050

**Grill (W):** 1400

**Maxi Grill (W):** 2450

**Traditional (W):** 2450

**Multifunction Turbo (W):** 25

**Cooling Fan Motor (W):** 30

## SECURITY SYSTEM

**Automatic disconnection when opening the door:** Yes

**Panel blocking system:** Yes

**Children safety block option:** Yes

**Grill protection:** Yes

**Anti-tip tray system:** Yes

**Safety Thermostat:** Yes

## CLEANING SYSTEM

**Crystal Clean Enamel (Slippery):** Yes

**Hydroclean PRO:** Yes

**Pyrolytic:** Yes

**DualClean:** Yes

## ACCESSORIES

**Deep Tray (50 mm):** 1

**The SteamBox:** 0

**Glass Tray:** 0

**Standard grid:** 1

## ENERGY EFFICIENCY

**Energy Efficiency Class:** A+

**Energy Efficiency Index (EEI):** 81

## PRODUCT INFORMATION SHEET - DELEGATED REGULATION (EU) 65/2014

**Supplier name or trademark:** TEKA

**Model identifier:** HSB 620 P

**Number of cavities:** 1

**Cavity 1**

**Energy Efficiency Index:** 81

**Energy Efficiency Class:** A+

**Energy consumption per cycle (conventional mode):** 0.88

**Energy consumption per cycle (fan-forced convection mode):**  
0,68

**Heat source :** Electric

**Volume:** 71



# HSB 620 P

## ENERGY LABEL

The energy label for the TEKA HSB 620 P dishwasher features the following information:

- Top Header:** Includes the European Union flag, the word "ENERG" in large letters, and smaller text "енергия - енергия" and "IE IA".
- Brand and Model:** The TEKA logo and the model number "HSB 620 P" are displayed.
- Energy Efficiency Scale:** A vertical scale of seven colored bars representing energy classes: A+++ (dark green), A++ (green), A+ (light green), A (yellow), B (orange), C (red-orange), and D (red). A black arrow points to the A+ class.
- Volume:** A box with a dishwasher icon and the text "70 L".
- Energy Consumption (Washing):** A box with a washing cycle icon and the text "0.88 kWh/cycle\*".
- Energy Consumption (Drying):** A box with a drying cycle icon and the text "0.68 kWh/cycle\*".
- Footnote:** A small line of text in multiple languages: "\* uweka - cyklus; portion; zyklos; epilogopas; ciclo; tsakiki; ohjelma; ciklus; ciklus; ciks; ciklu; ciklus; cyklus; cykl; ciklu; program; cyklet".
- Reference:** The number "65/2014" is printed at the bottom.