



# EWH 30 Water heater with vertical installation and 30L capacity



Dry Heating Protection



Humidity Control



Overheating Protection



Slim heater

**DESCRIPTION**

Water heater with vertical installation and 30L capacity

**LIFE STYLE**

Easy

**COLOURS**



**REFERENCE**

REF. 42080030  
EAN. 8421152068113



TEKA

**EWH 30**

## **FEATURES**

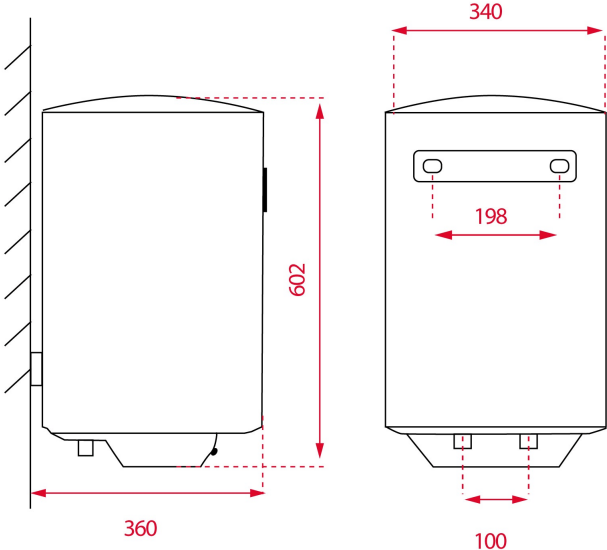
Capacity: 30 litres  
Sapphire enamelled tank  
Sapphire heating element  
Electrolytic muff  
Regulation of temperature: 30-75 °C  
Pressure valve > 5 bar  
Max. Input temperature: 0,75Mpa  
Thermometer  
Anti Over-pressure protection  
Overheat protection  
Anti Dry-heating Protection  
Waterproof Grade: IPX4  
Rated power output 1500 W  
Thickness of insulation: 20mm  
Water connection: G½  
Average number of users : 1-2/2-3/2-4/3-5



**EWH 30**

**DIMENSIONS**

- Product height (mm): 602
- Product width (mm): 340
- Product depth (mm): 340
- Product length (mm):
- Net weight (Kg): 15,03



**TECH SPECS**

**ELECTRIC CONNECTION**

- Frequency (Hz): 50
- Power rate (V): 220-240
- Plug type: EU

**MODELS**

Control panel: MECHANICAL



**EWH 30**

**ENERGY LABEL**

