



HLC 8471 SC SurroundTemp Compact Steam Multifunction Oven in 45cm with HydroClean system



44L



MeatProbe



HydroClean



SoftClose



SurroundTemp

DESCRIPTION

SurroundTemp Compact Steam Multifunction Oven in 45cm with HydroClean system

LIFE STYLE

Maestro

COLOURS

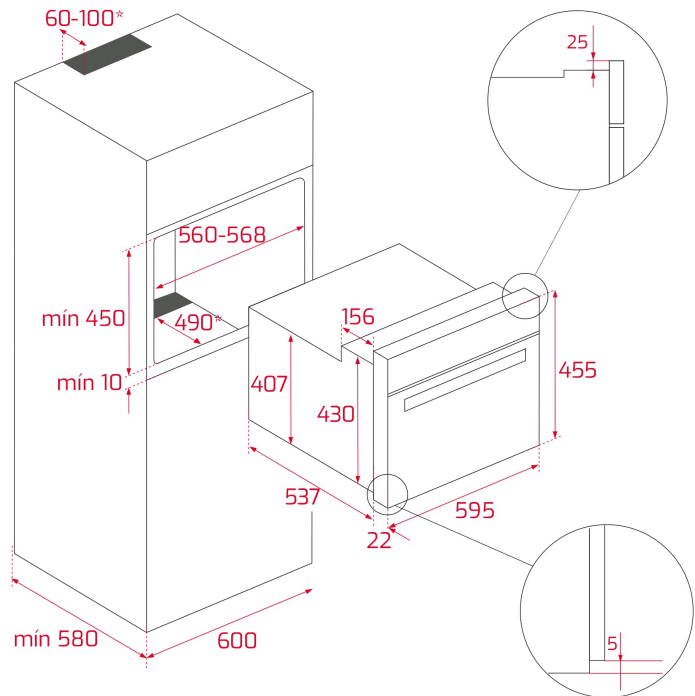


REFERENCE

REF. 111230003
EAN. 8434778003574

FEATURES

Urban Colors Edition
Multifunction + steam oven
HydroClean® PRO auto cleaning system
Multifunction SurroundTemp - 15 cooking functions
Steam cooking 30-100°C
True colour TFT 4 display with digital timer
1 Plus-Extension telescopic guide, 5 cooking levels
Personal cooking assistant (20 pre-programmed recipes)
Automatic temperature and time suggestion for each function
Slow cook function & Automatic fast heating
Sterilization and regeneration functions
MeatProbe
1 litre water tank
Triple glazed door
SoftClose system
Door opening security disconnection
Tangential ventilation
2 Gastronorm with tray, deep tray, stainless steel perforated tray and reinforced grid (with anti-tip system)



DIMENSIONS

Product height (mm): 455
Product width (mm): 595
Product depth (mm): 580
Product length (mm): 600
Net weight (Kg): 28

TECH SPECS

PARTICULAR CHARACTERISTICS

Certificates: CE/CB / CCC
Type of inner light: Halogen
Inside light position: upper rear right
Enamelled cavity: Yes
Function selector: ELECTRONIC
Number of cooking functions: 15
Number of recipes: 20
Grill function: Yes
MaxiGrill function: Yes
Bottom function: Yes
Turbo function: Yes
ECO function: Yes
Automatic quick heating: Yes
Slow Cook: Yes
Knobs type: MMX FIX KNOB
Ring illuminated: Yes
Removable chromed tray guides: Yes
Number of guide levels: 5
Number of guide levels (lower cavity): 0
Forced refrigeration tangential 1 speed: Yes
SoftClose: Yes

ELECTRIC CONNECTION

Maximum Nominal Power (W): 3000
Frequency (Hz): 50/60
Power rate (V): 220-240
Cable Connection Length (cm): 110
Plug: Yes
Inside light Consumption (W): 25

ENERGY CONSUMPTION

Bottom Heating Element (W): 1150
Grill (W): 1400
Maxi Grill (W): 2500
Traditional (W): 2250
Turbo (W): 1800
Multifunction Turbo (W): 22
Cooling Fan Motor (W): 35

SECURITY SYSTEM

Automatic disconnection when opening the door: Yes
Panel blocking system: Yes
Children safety block option: Yes
Grill protection: Yes
Anti-tip tray system: Yes
Safety Thermostat: Yes

CLEANING SYSTEM

Fingerprint proof stainless steel: Yes
Crystal Clean Enamel (Slippery): Yes
Hydroclean PRO: Yes

ACCESSORIES

Deep Tray (50 mm): 1
Reinforced grid: 1
Meat Probe: 1

ENERGY EFFICIENCY

Energy Efficiency Class: A+

PRODUCT INFORMATION SHEET - DELEGATED REGULATION (EU) 65/2014

Supplier name or trademark: TEKA
Model identifier: HLC 8471 SC

Cavity 1

Energy Efficiency Class: A+
Heat source : Electric
Volume: 45

Cavity 2

Heat source : Electric

