



# HLC 8471 SC SurroundTemp Compact Steam Multifunction Oven in 45cm with HydroClean system



44L



MeatProbe



HydroClean



SoftClose



SurroundTemp

## DESCRIPTION

SurroundTemp Compact Steam Multifunction Oven in 45cm with HydroClean system

## LIFE STYLE

Maestro

## COLOURS

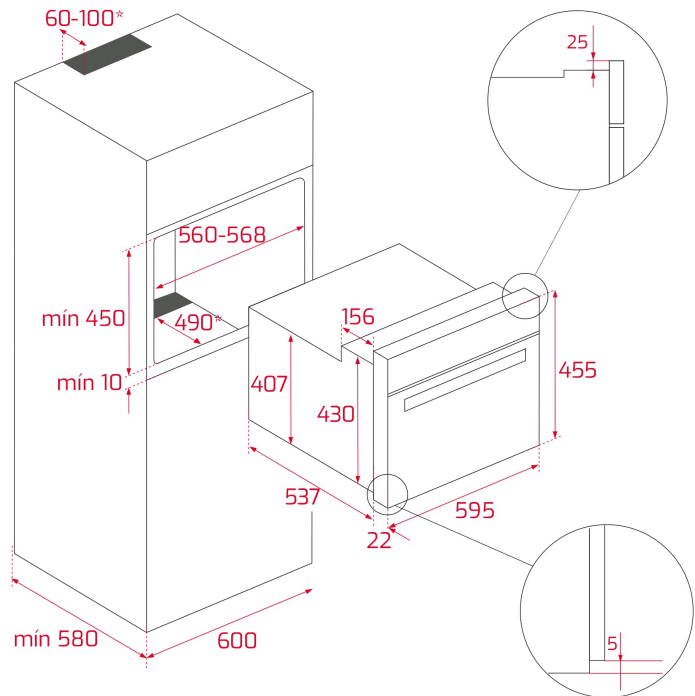


## REFERENCE

REF. 111230004  
EAN. 8434778003581

**FEATURES**

Multifunction + steam oven  
HydroClean® PRO auto cleaning system  
Multifunction SurroundTemp - 15 cooking functions  
Steam cooking 30-100°C  
True colour TFT 4" display with digital timer  
1 Plus-Extension telescopic guide, 5 cooking levels  
Personal cooking assistant (20 pre-programmed recipes)  
Automatic temperature and time suggestion for each function  
Slow cook function & Automatic fast heating  
Sterilization and regeneration functions  
MeatProbe  
1 litre water tank  
Triple glazed door  
SoftClose system  
Door opening security disconnection  
Tangential ventilation  
2 Gastronorm with tray, deep tray, stainless steel perforated tray and reinforced grid (with anti-tip system)



## DIMENSIONS

**Product height (mm):** 455  
**Product width (mm):** 595  
**Product depth (mm):** 559  
**Product length (mm):**  
**Net weight (Kg):** 28

## TECH SPECS

### PARTICULAR CHARACTERISTICS

**Certificates:** CE/CB / CCC  
**Type of inner light:** Halogen  
**Inside light position:** upper rear right  
**Enamelled cavity:** Yes  
**Function selector:** ELECTRONIC  
**Number of cooking functions:** 15  
**Number of recipes:** 20  
**Grill function:** Yes  
**MaxiGrill function:** Yes  
**Bottom function:** Yes  
**Turbo function:** Yes  
**ECO function:** Yes  
**Automatic quick heating:** Yes  
**Slow Cook:** Yes  
**Knobs type:** MMX FIX KNOB  
**Ring illuminated:** Yes  
**Removable chromed tray guides:** Yes  
**Number of guide levels:** 5  
**Number of guide levels (lower cavity):** 0  
**Forced refrigeration tangential 1 speed:** Yes  
**SoftClose:** Yes

## **ELECTRIC CONNECTION**

**Maximum Nominal Power (W):** 3000  
**Frequency (Hz):** 50/60  
**Power rate (V):** 220-240  
**Cable Connection Length (cm):** 110  
**Plug:** Yes  
**Inside light Consumption (W):** 25

## **ENERGY CONSUMPTION**

**Bottom Heating Element (W):** 1150  
**Grill (W):** 1400  
**Maxi Grill (W):** 2500  
**Traditional (W):** 2250  
**Turbo (W):** 1800  
**Multifunction Turbo (W):** 22  
**Cooling Fan Motor (W):** 35

## **SECURITY SYSTEM**

**Automatic disconnection when opening the door:** Yes  
**Panel blocking system:** Yes  
**Children safety block option:** Yes  
**Grill protection:** Yes  
**Anti-tip tray system:** Yes  
**Safety Thermostat:** Yes

## **CLEANING SYSTEM**

**Fingerprint proof stainless steel:** Yes  
**Crystal Clean Enamel (Slippery):** Yes  
**Hydroclean PRO:** Yes

## **ACCESSORIES**

**Deep Tray (50 mm):** 1  
**Reinforced grid:** 1  
**Meat Probe:** 1

## **ENERGY EFFICIENCY**

**Energy Efficiency Class:** A+

## **PRODUCT INFORMATION SHEET - DELEGATED REGULATION (EU) 65/2014**

**Supplier name or trademark:** TEKA  
**Model identifier:** HLC 8471 SC

### **Cavity 1**

**Energy Efficiency Class:** A+  
**Heat source :** Electric  
**Volume:** 45

### **Cavity 2**

**Heat source :** Electric

